

SERVICE MANUAL

AZ1-L CHASSIS

<u>MODEL NAME</u>	<u>REMOTE COMMANDER</u>	<u>DESTINATION</u>
KDL-32EX715	RM-YD047	BRAZIL
KDL-40EX715	RM-YD047	BRAZIL
KDL-46EX715	RM-YD047	BRAZIL

**LEVEL 3
CONFIDENTIAL**

CONFIDENTIAL
ELECTRICAL SERVICE MANUAL
INTERNAL ONLY

ORIGINAL MANUAL ISSUE DATE: 9/2010

REVISION DATE

SUBJECT

9/9/2010

No revisions or updates are applicable at this time.

LCD DIGITAL COLOR TV
SONY[®]

TABLE OF CONTENTS

SECTION TITLE	PAGE
Safety-Related Component Warning	3
Safety Check-Out	5
SECTION 1: DIAGRAMS.....	6
1-1. Circuit Boards Location	6
1-2. Printed Wiring Boards and Schematic Diagrams Information	6
1-3. Block Diagram.....	8
1-4. Schematics and Supporting Information	9
BAL Board Schematic Diagram (1 of 18).....	9
BAL Board Schematic Diagram (2 of 18).....	10
BAL Board Schematic Diagram (3 of 18).....	11
BAL Board Schematic Diagram (4 of 18).....	12
BAL Board Schematic Diagram (5 of 18).....	13
BAL Board Schematic Diagram (6 of 18).....	14
BAL Board Schematic Diagram (7 of 18).....	15
BAL Board Schematic Diagram (8 of 18).....	16
BAL Board Schematic Diagram (9 of 18).....	17
BAL Board Schematic Diagram (10 of 18).....	18
BAL Board Schematic Diagram (11 of 18).....	19
BAL Board Schematic Diagram (12 of 18).....	20
BAL Board Schematic Diagram (13 of 18).....	21
BAL Board Schematic Diagram (14 of 18).....	22
BAL Board Schematic Diagram (15 of 18).....	23
BAL Board Schematic Diagram (16 of 18).....	24
BAL Board Schematic Diagram (17 of 18).....	25
BAL Board Schematic Diagram (18 of 18).....	26
GE3A Board Schematic Diagram (1 of 2) (KDL-40EX715/46EX715 ONLY).....	29
GE3A Board Schematic Diagram (2 of 2) (KDL-40EX715/46EX715 ONLY).....	30
GE3C Board Schematic Diagram (1 of 2) (KDL-32EX715 ONLY).....	31
GE3C Board Schematic Diagram (2 of 2) (KDL-32EX715 ONLY).....	32
HLR Board Schematic Diagram.....	35
HMS2 Board Schematic Diagram	37
SECTION 2: ELECTRICAL PARTS LIST	39
APPENDIX A: ENCRYPTION KEY COMPONENTS.....	A-1

SAFETY-RELATED COMPONENT WARNING

There are critical components used in LCD color TVs that are important for safety. These components are identified with shading and \triangle mark on the schematic diagrams and the electrical parts list. It is essential that these critical parts be replaced only with the part number specified in the electrical parts list to prevent electric shock, fire, or other hazard.

NOTE: Do not modify the original design without obtaining written permission from the manufacturer or you will void the original parts and labor guarantee.

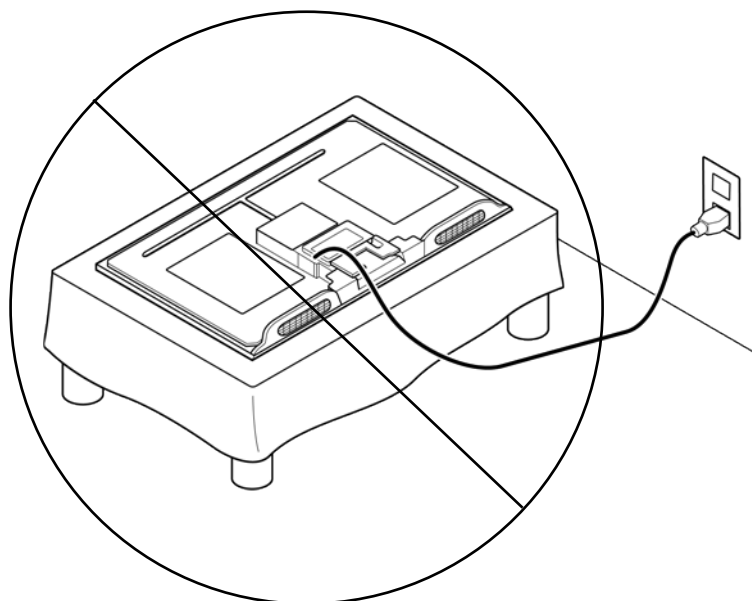
USE CAUTION WHEN HANDLING THE LCD ASSEMBLY PANEL

When repairing the LCD Assembly Panel, be sure you are grounded by using a wrist band.

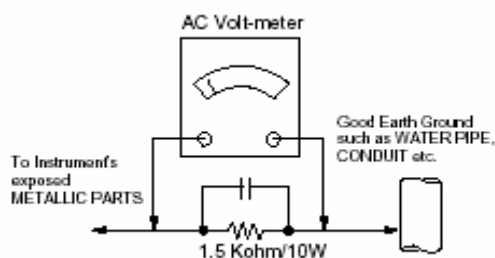
When installing the LCD Assembly Panel on a wall, the LCD Assembly Panel must be secured using the 4 mounting holes on the rear cover.

To avoid damaging the LCD Assembly Panel:

- do not press on the panel or frame edge to avoid the risk of electric shock.
- do not scratch or press on the panel with any sharp objects.
- do not leave the module in high temperatures or in areas of high humidity for an extended period of time.
- do not expose the LCD Panel Assembly to direct sunlight.
- avoid contact with water. It may cause a short circuit within the module.
- disconnect the AC adapter when replacing the backlight (CCFL) or inverter circuit.
(High voltage occurs at the inverter circuit at 650Vrms.)
- always clean the LCD Assembly Panel with a soft cloth material.
- use care when handling the wires or connectors of the inverter circuit. Damaging the wires may cause a short.
- protect the panel from ESD to avoid damaging the electronic circuit (C-MOS).
- during the repair, DO NOT leave the Power On for more than 1 hour while the TV is face down on a cloth.

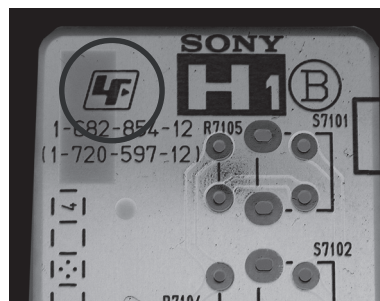


LEAKAGE CURRENT HOT CHECK CIRCUIT



example 1

The circuit boards used in these models have been processed using Lead Free Solder. The boards are identified by the LF logo located close to the board designation e.g. H1 etc [see example]. The servicing of these boards requires special precautions to be taken as outlined below.



It is strongly recommended to use Lead Free Solder material in order to guarantee optimal quality of new solder joints. Lead Free Solder is available under the following part numbers :

Part number	Diameter	Remarks
7-640-005-19	0.3mm	0.25Kg
7-640-005-20	0.4mm	0.50Kg
7-640-005-21	0.5mm	0.50Kg
7-640-005-22	0.6mm	0.25Kg
7-640-005-23	0.8mm	1.00Kg
7-640-005-24	1.0mm	1.00Kg
7-640-005-25	1.2mm	1.00Kg
7-640-005-26	1.6mm	1.00Kg

Due to the higher melting point of Lead Free Solder the soldering iron tip temperature needs to be set to 370 degrees centigrade. This requires soldering equipment capable of accurate temperature control coupled with a good heat recovery characteristics.

For more information on the use of Lead Free Solder, please refer to <http://www.sony-training.com>

SAFETY CHECK-OUT

After correcting the original service problem, perform the following safety checks before releasing the set to the customer:

1. Check the area of your repair for unsoldered or poorly soldered connections. Check the entire board surface for solder splashes and bridges.
2. Check the interboard wiring to ensure that no wires are "pinched" or touching high-wattage resistors.
3. Check that all control knobs, shields, covers, ground straps, and mounting hardware have been replaced. Be absolutely certain that you have replaced all the insulators.
4. Look for unauthorized replacement parts, particularly transistors, that were installed during a previous repair. Point them out to the customer and recommend their replacement.
5. Look for parts which, though functioning, show obvious signs of deterioration. Point them out to the customer and recommend their replacement.
6. Check the line cords for cracks and abrasion. Recommend the replacement of any such line cord to the customer.
7. Check the antenna terminals, metal trim, "metallized" knobs, screws, and all other exposed metal parts for AC leakage. Check leakage as described below.

Leakage Test

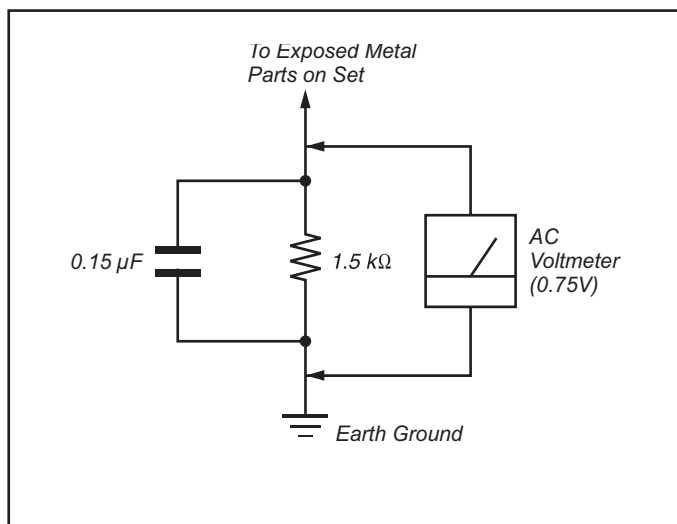


Figure A. Using an AC voltmeter to check AC leakage.

The AC leakage from any exposed metal part to earth ground and from all exposed metal parts to any exposed metal part having a return to chassis, must not exceed 0.5 mA (500 microamperes). Leakage current can be measured by any one of three methods.

1. A commercial leakage tester, such as the Simpson 229 or RCA WT-540A. Follow the manufacturers' instructions to use these instructions.
2. A battery-operated AC milliammeter. The Data Precision 245 digital multimeter is suitable for this job.
3. Measuring the voltage drop across a resistor by means of a VOM or battery-operated AC voltmeter. The "limit" indication is 0.75 V, so analog meters must have an accurate low voltage scale. The Simpson's 250 and Sanwa SH-63TRD are examples of passive VOMs that are suitable. Nearly all battery-operated digital multimeters that have a 2 VAC range are suitable (see Figure A).

How to Find a Good Earth Ground

A cold-water pipe is a guaranteed earth ground; the cover-plate retaining screw on most AC outlet boxes is also at earth ground. If the retaining screw is to be used as your earth ground, verify that it is at ground by measuring the resistance between it and a cold-water pipe with an ohmmeter. The reading should be zero ohms.

If a cold-water pipe is not accessible, connect a 60- to 100-watt trouble-light (not a neon lamp) between the hot side of the receptacle and the retaining screw. Try both slots, if necessary, to locate the hot side on the line; the lamp should light at normal brilliance if the screw is at ground potential (see Figure B).

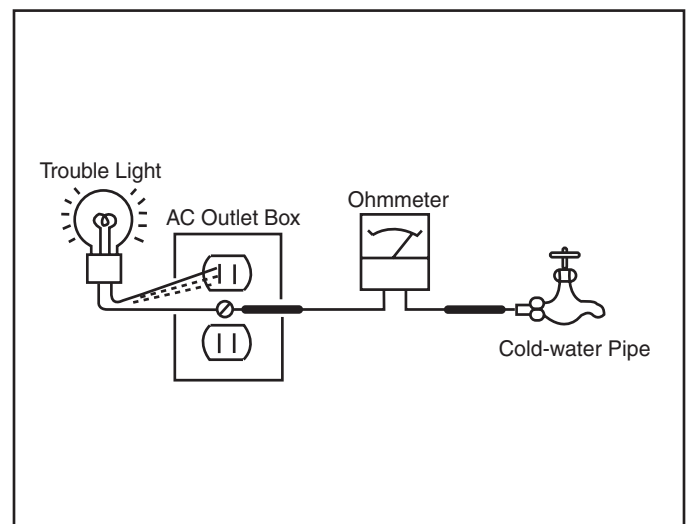
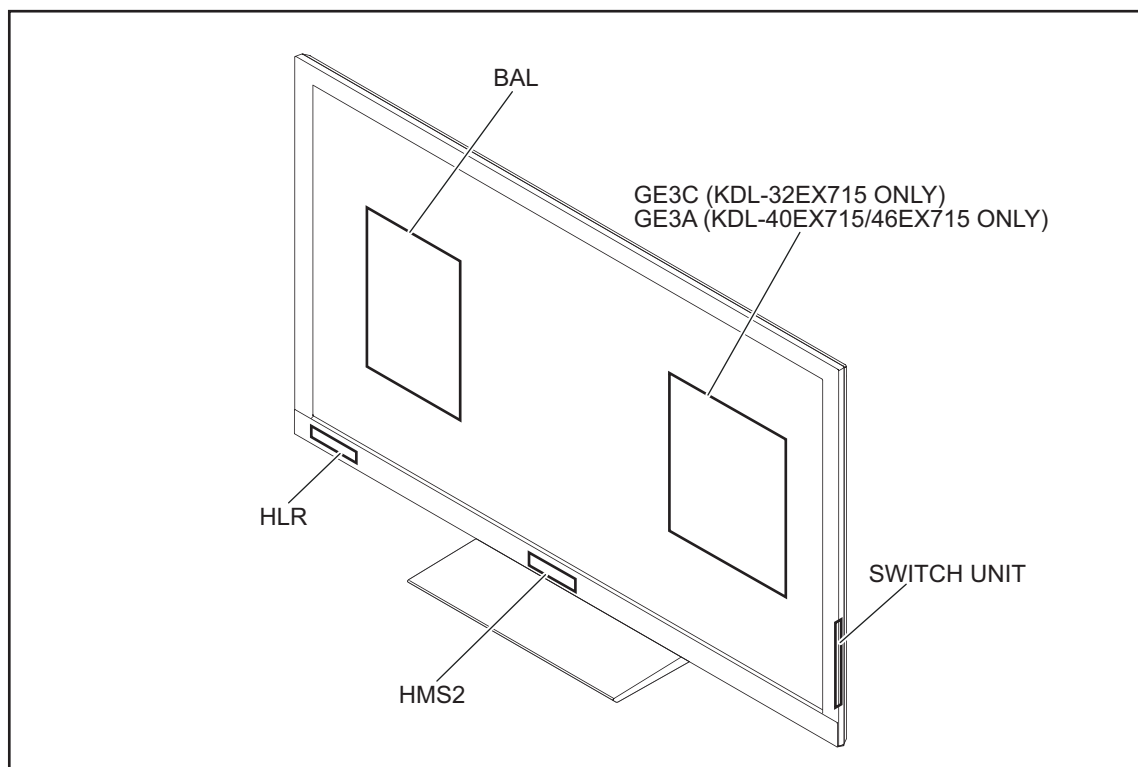


Figure B. Checking for earth ground.

SECTION 1: DIAGRAMS

1-1. CIRCUIT BOARDS LOCATION



1-2. PRINTED WIRING BOARDS AND SCHEMATIC DIAGRAMS INFORMATION

All capacitors are in μF unless otherwise noted. pF : μF 50WV or less are not indicated except for electrolytics and tantalums.

All electrolytics are in 50V unless otherwise specified.

All resistors are in ohms. $\text{k}\Omega=1000\Omega$, $\text{M}\Omega=1000\text{k}\Omega$

Indication of resistance, which does not have one for rating electrical power, is as follows: Pitch : 5mm

Rating electrical power : $\frac{1}{4}$ W

$\frac{1}{4}$ W in resistance, $\frac{1}{10}$ W and $\frac{1}{16}$ W in chip resistance.

: nonflammable resistor

: fusible resistor

: internal component

: panel designation and adjustment for repair

: earth ground

: earth-chassis

All variable and adjustable resistors have characteristic curve B, unless otherwise noted.

Readings are taken with a color-bar signal input.

Readings are taken with a $10\text{M}\Omega$ digital multimeter.

Voltages are DC with respect to ground unless otherwise noted.

Voltage variations may be noted due to normal production tolerances.

All voltages are in V.

S : Measurement impossibility.

: B+line.

: B-line. (Actual measured value may be different).

: signal path. (RF)

Circled numbers are waveform references.

The components identified by shading and symbol are critical for safety. Replace only with part number specified.

The symbol indicates a fast operating fuse and is displayed on the component side of the board. Replace only with fuse of the same rating as marked.

NOTE: The components identified by a red outline and a mark contain confidential information. Specific instructions must be adhered to whenever these components are repaired and/or replaced.
See Appendix A: Encryption Key Components in the back of this manual.

REFERENCE INFORMATION

RESISTOR

- : RN METAL FILM
- : RC SOLID
- : FPRD NONFLAMMABLE CARBON
- : FUSE NONFLAMMABLE FUSIBLE
- : RW NONFLAMMABLE WIREWOUND
- : RS NONFLAMMABLE METAL OXIDE
- : RB NONFLAMMABLE CEMENT
- : ※ ADJUSTMENT RESISTOR

COIL

- : LF-8L MICRO INDUCTOR

CAPACITOR

- : TA TANTALUM
- : PS STYROL
- : PP POLYPROPYLENE
- : PT MYLAR
- : MPS METALIZED POLYESTER
- : MPP METALIZED POLYPROPYLENE
- : ALB BIPOLAR
- : ALT HIGH TEMPERATURE
- : ALR HIGH RIPPLE

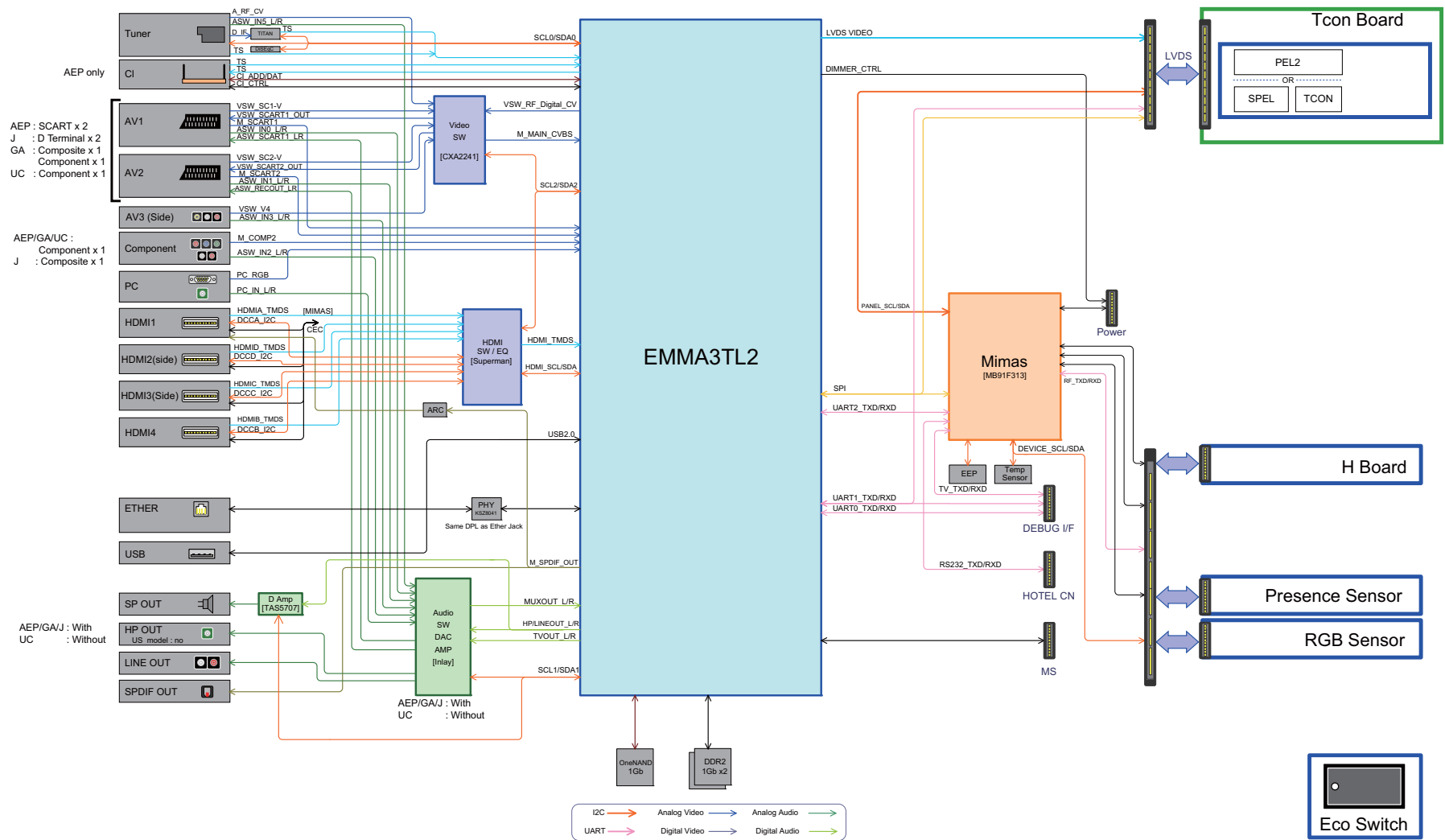
Terminal name of semiconductors in silk screen printed circuit (※)

	Device	Printed symbol	Terminal name	Circuit
1	Transistor		Collector Base Emitter	
2	Transistor		Collector Base Emitter	
3	Diode		Cathode Anode	
4	Diode		Cathode Anode (NC)	
5	Diode		Cathode Anode (NC)	
6	Diode		Common Anode Cathode	
7	Diode		Common Anode Cathode	
8	Diode		Common Anode Anode	
9	Diode		Common Anode Anode	
10	Diode		Common Cathode Cathode	
11	Diode		Common Cathode Cathode	
12	Diode		Anode Anode Cathode Cathode	
13	Transistor (FET)		Drain Source Gate	
14	Transistor (FET)		Drain Source Gate	
15	Transistor (FET)		Source Drain Gate	
16	Transistor		Emitter Collector Base	
17	Transistor		C2 B1 E1 E2 B2 C1	
18	Transistor		C1 B2 E2 E1 B1 C2	
19	Transistor		C1 B2 E2 E1 B1 C2	
20	Transistor		C1 B2 E2 E1 B1 C2	
21	Transistor		E2 B1 E1 C2 C1(B2)	
22	Transistor		(B2) B1 E1 E2 C1 C2	
23	Transistor		(B2) E2 E1 B1 C2 C1	
-	Discrete semiconductor			

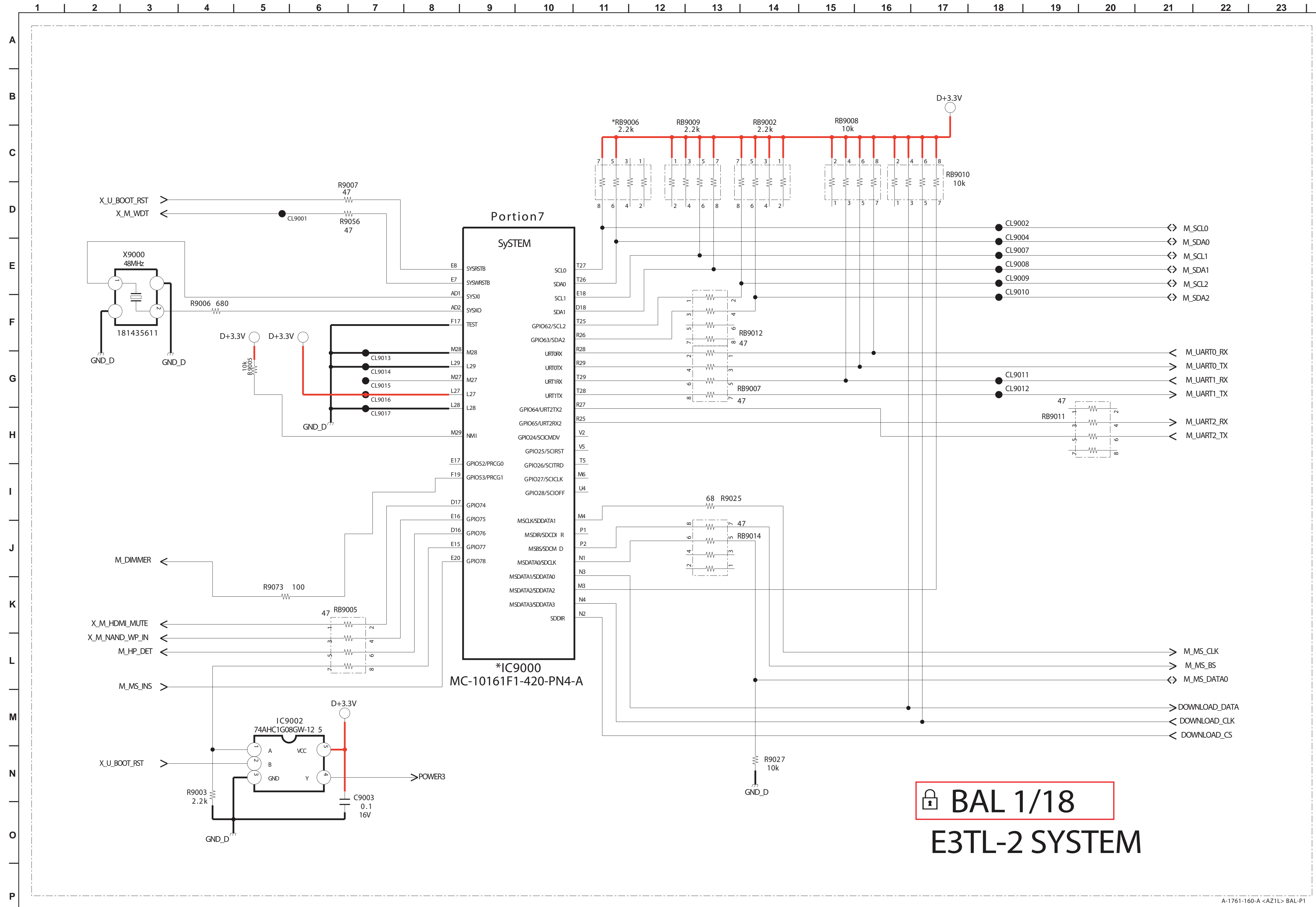
(Chip semiconductors that are not actually used are included.)

Ver.1.6

1-3. BLOCK DIAGRAM

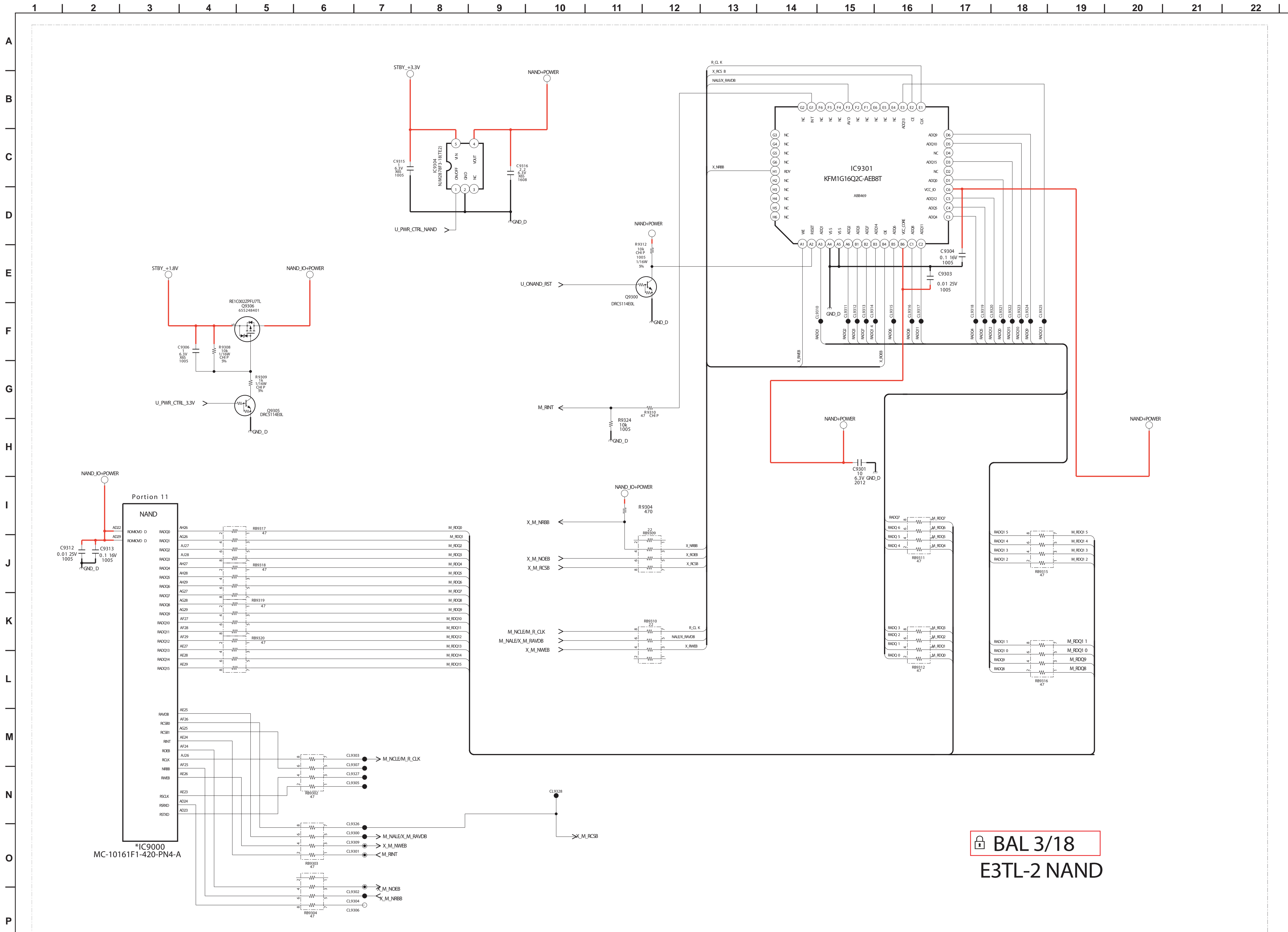


1-4. SCHEMATICS AND SUPPORTING INFORMATION
BAL BOARD SCHEMATIC DIAGRAM (1 OF 18)



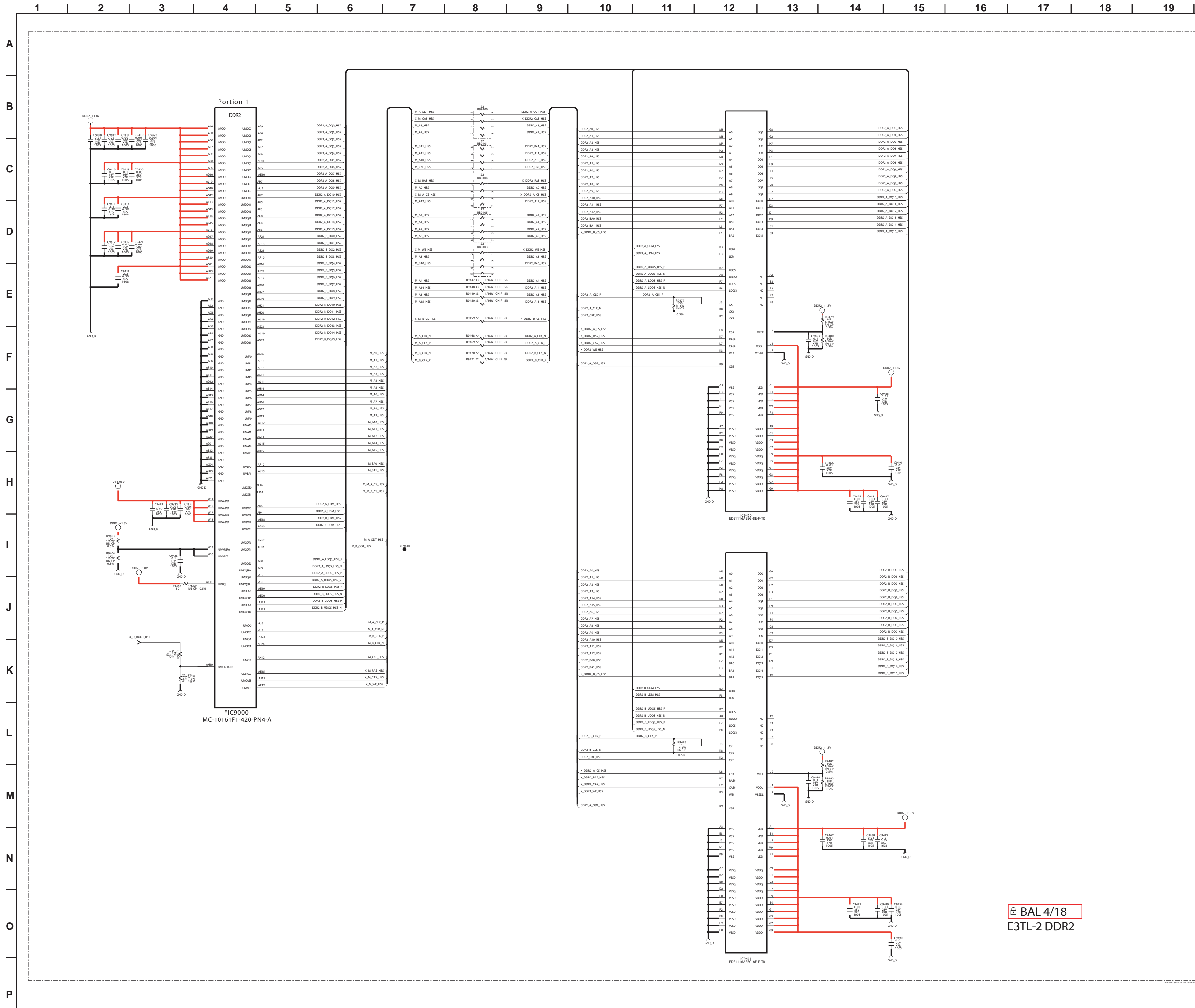
BAL 1/18
E3TL-2 SYSTEM

BAL BOARD SCHEMATIC DIAGRAM (3 OF 18)

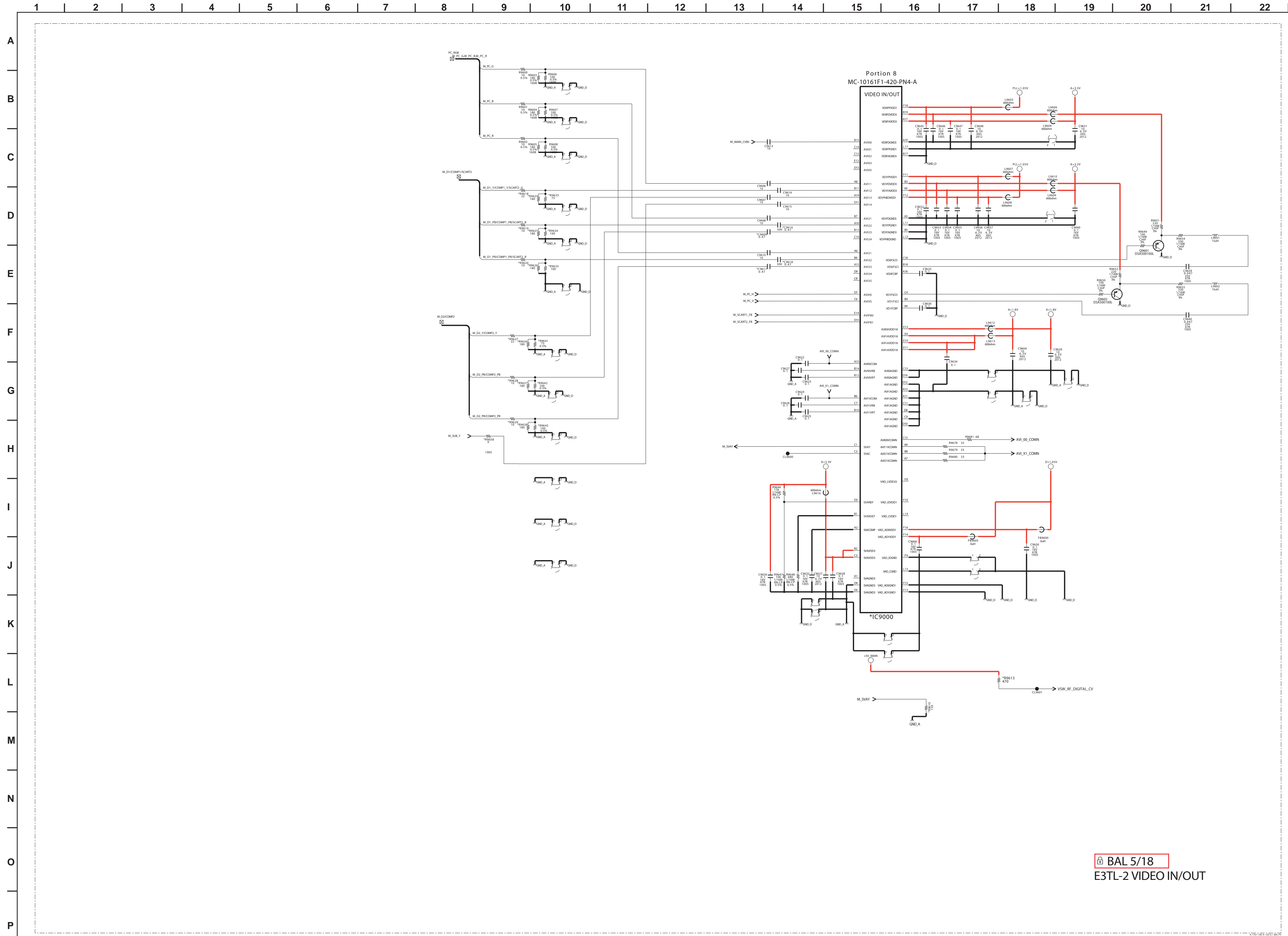


BAL 3/18
E3TL-2 NAND

BAL BOARD SCHEMATIC DIAGRAM (4 OF 18)

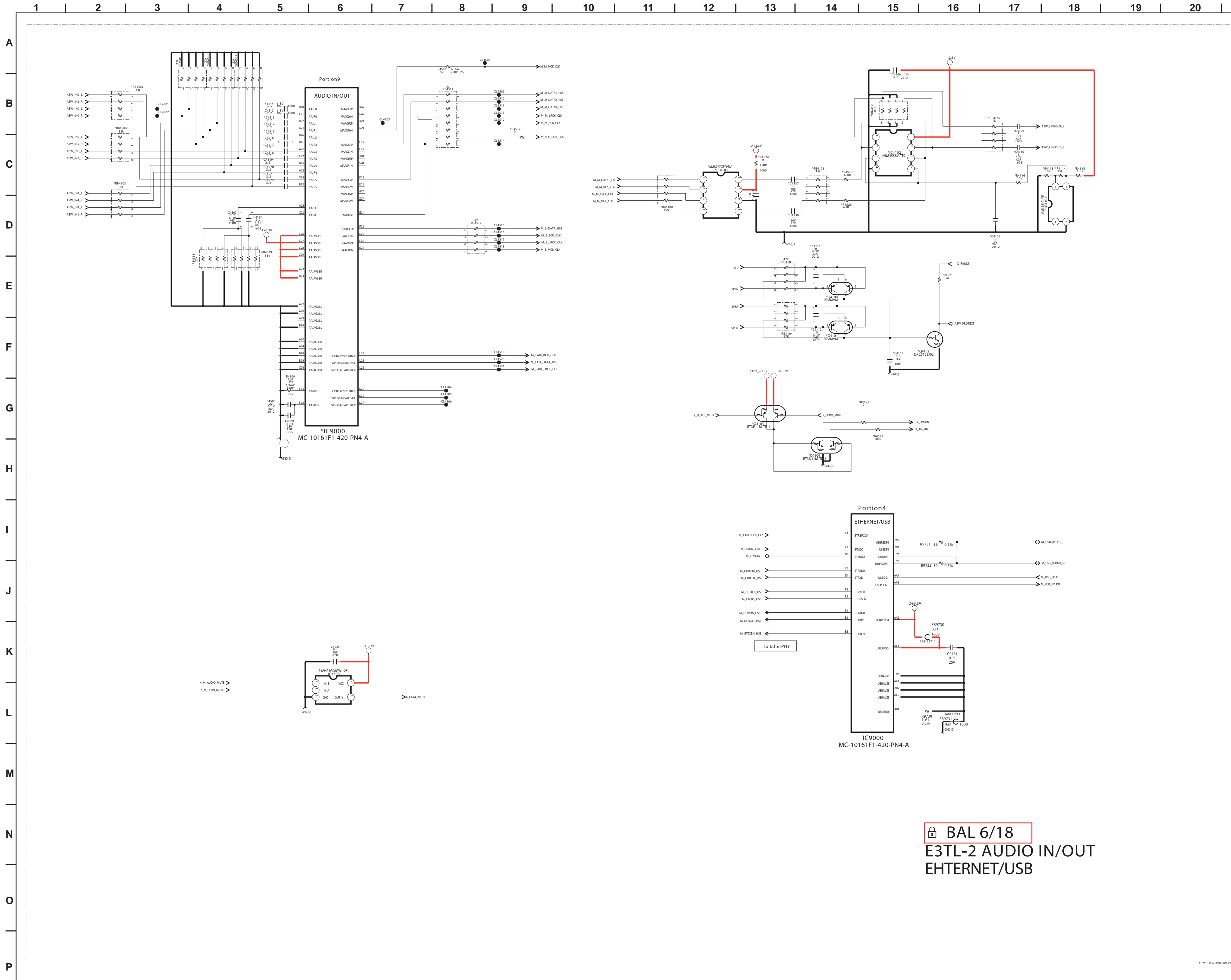


BAL BOARD SCHEMATIC DIAGRAM (5 OF 18)



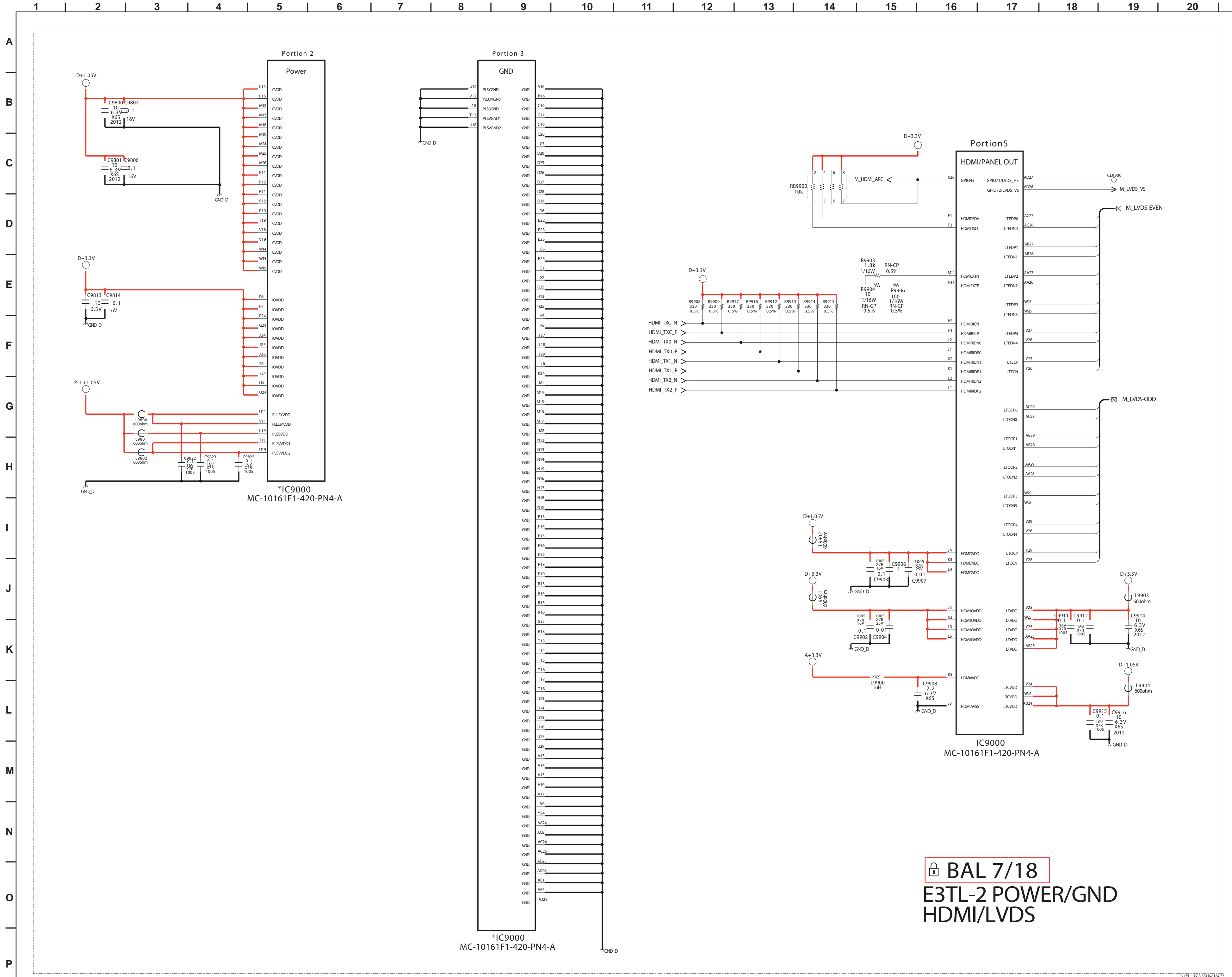
BAL 5/18
E3TL-2 VIDEO IN/OUT

BAL BOARD SCHEMATIC DIAGRAM (6 OF 18)



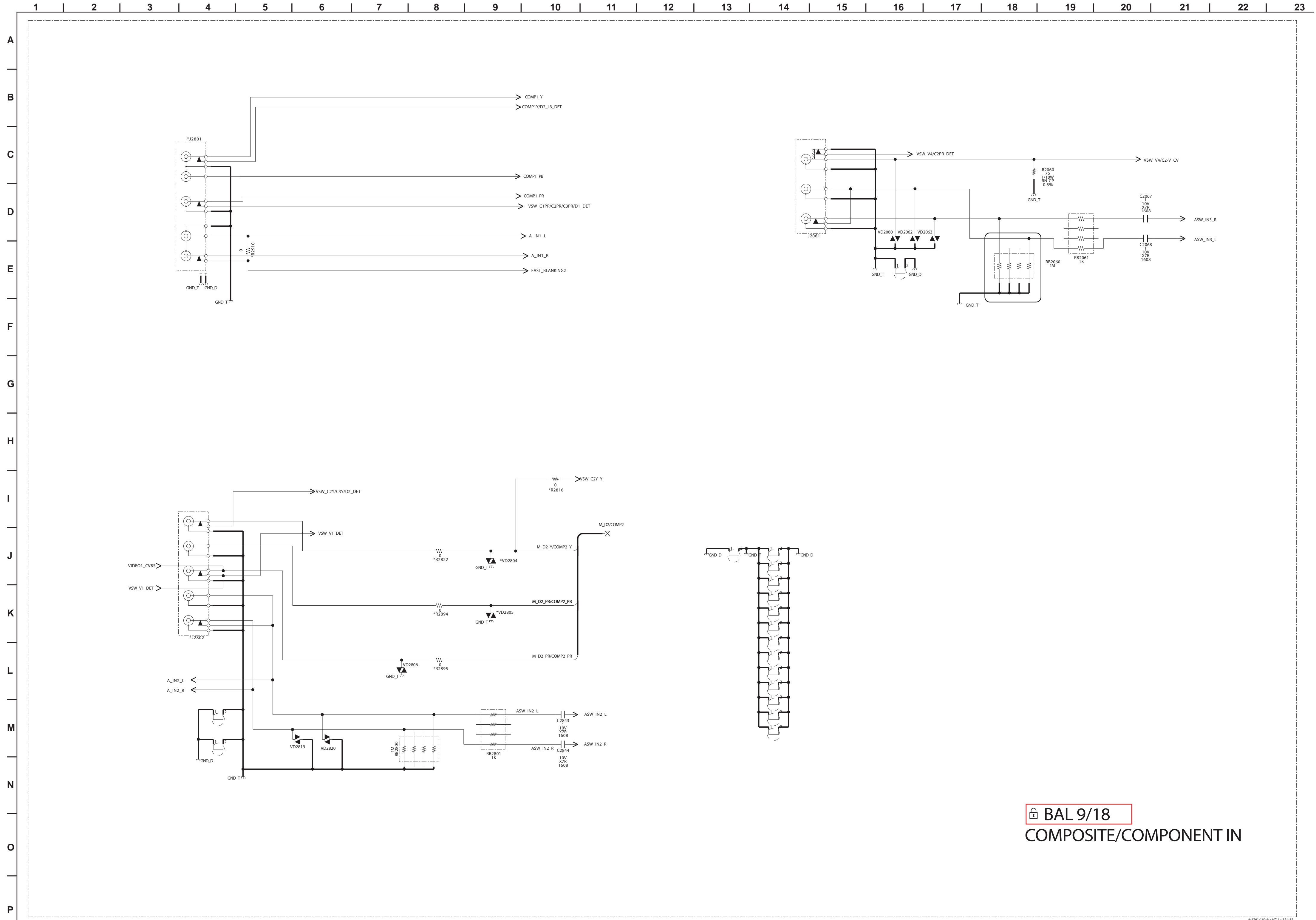
BAL 6/18
E3TL-2 AUDIO IN/OUT
ETHERNET/USB

BAL BOARD SCHEMATIC DIAGRAM (7 OF 18)



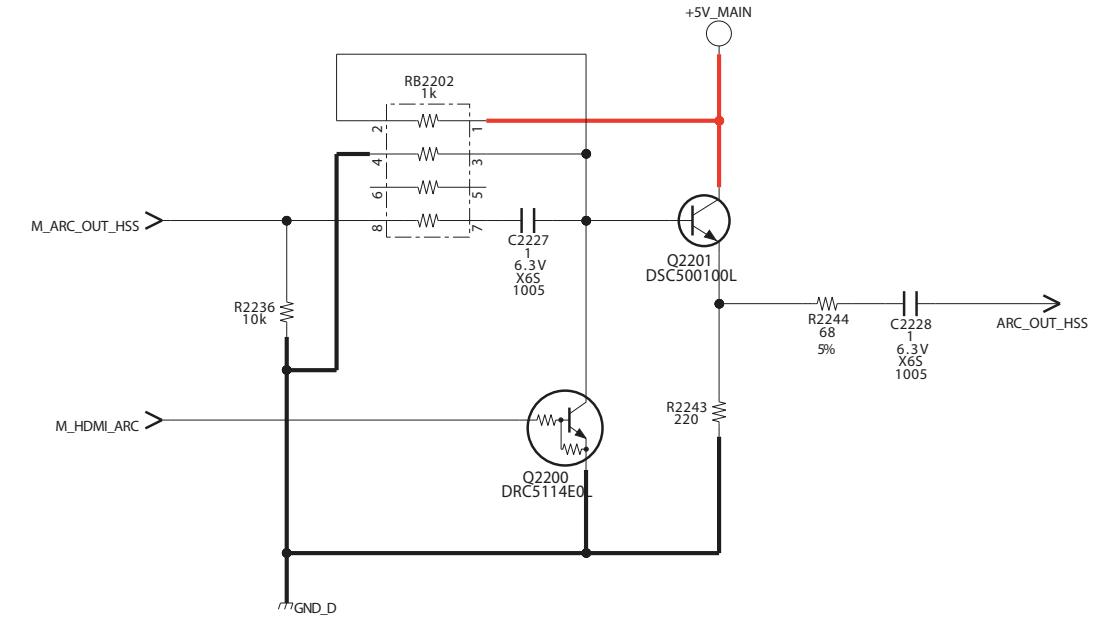
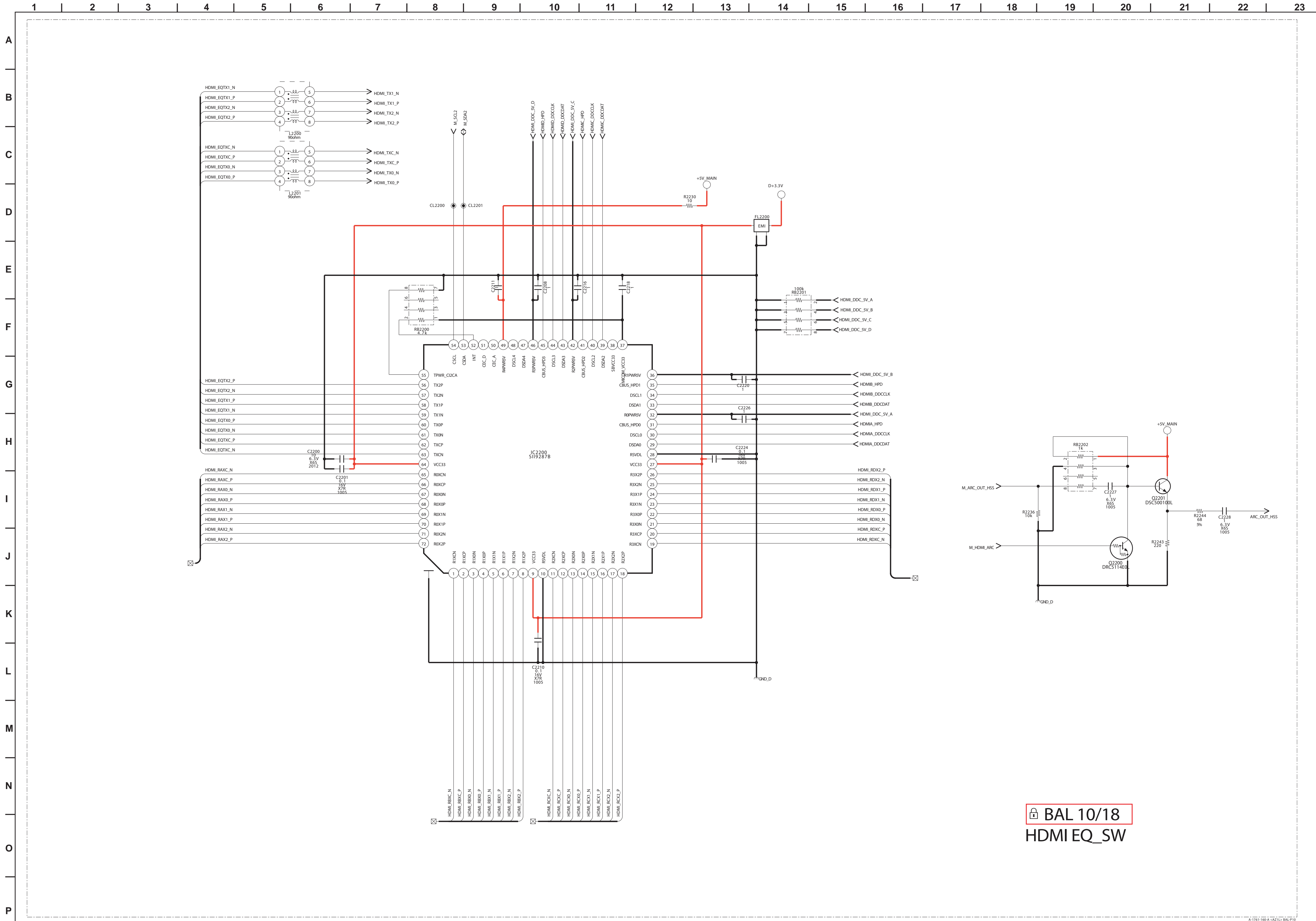
BAL 7/18
E3TL-2 POWER/GND
HDMI/LVDS

BAL BOARD SCHEMATIC DIAGRAM (9 OF 18)



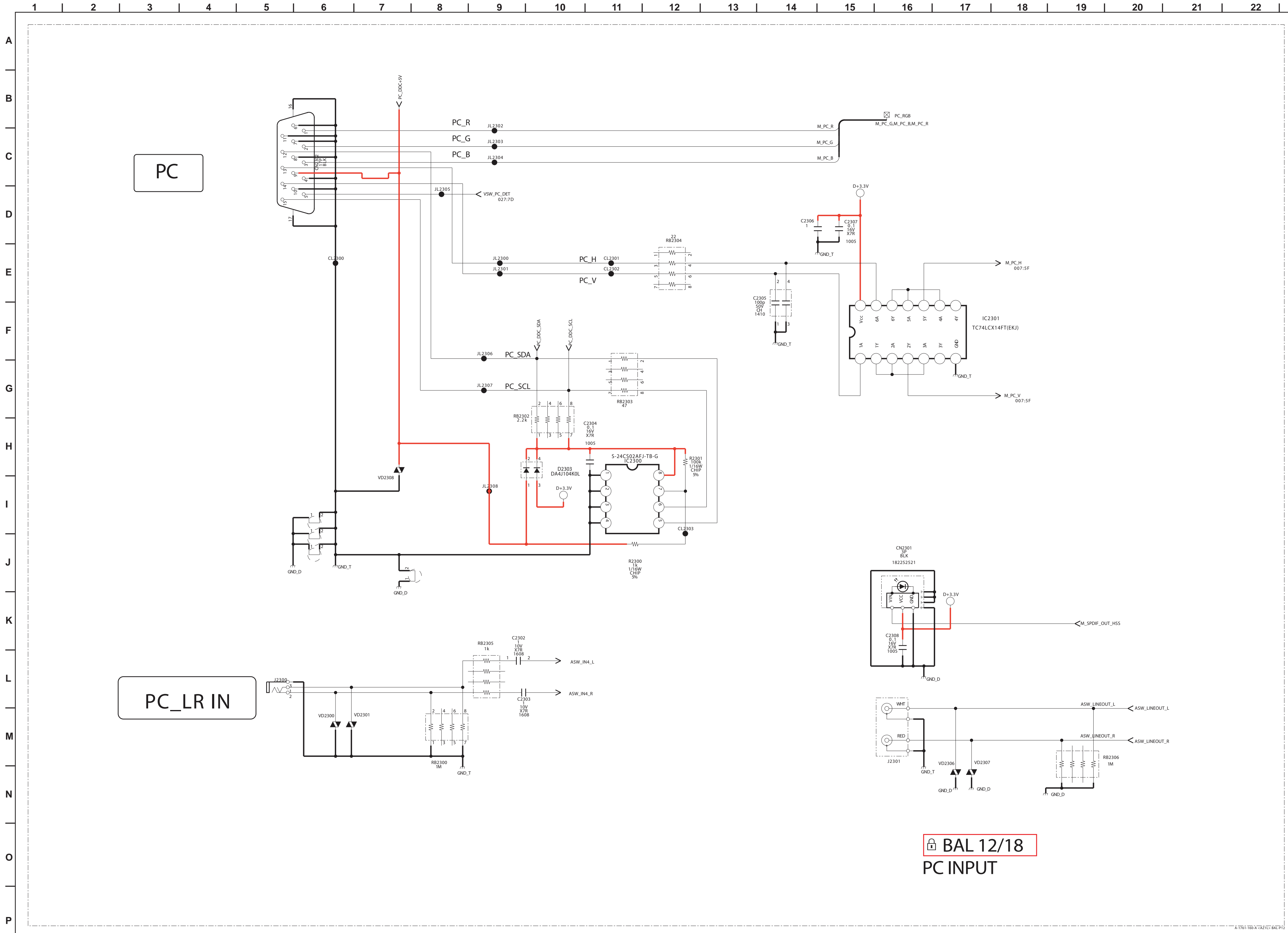
🔒 BAL 9/18
COMPOSITE/COMPONENT IN

BAL BOARD SCHEMATIC DIAGRAM (10 OF 18)



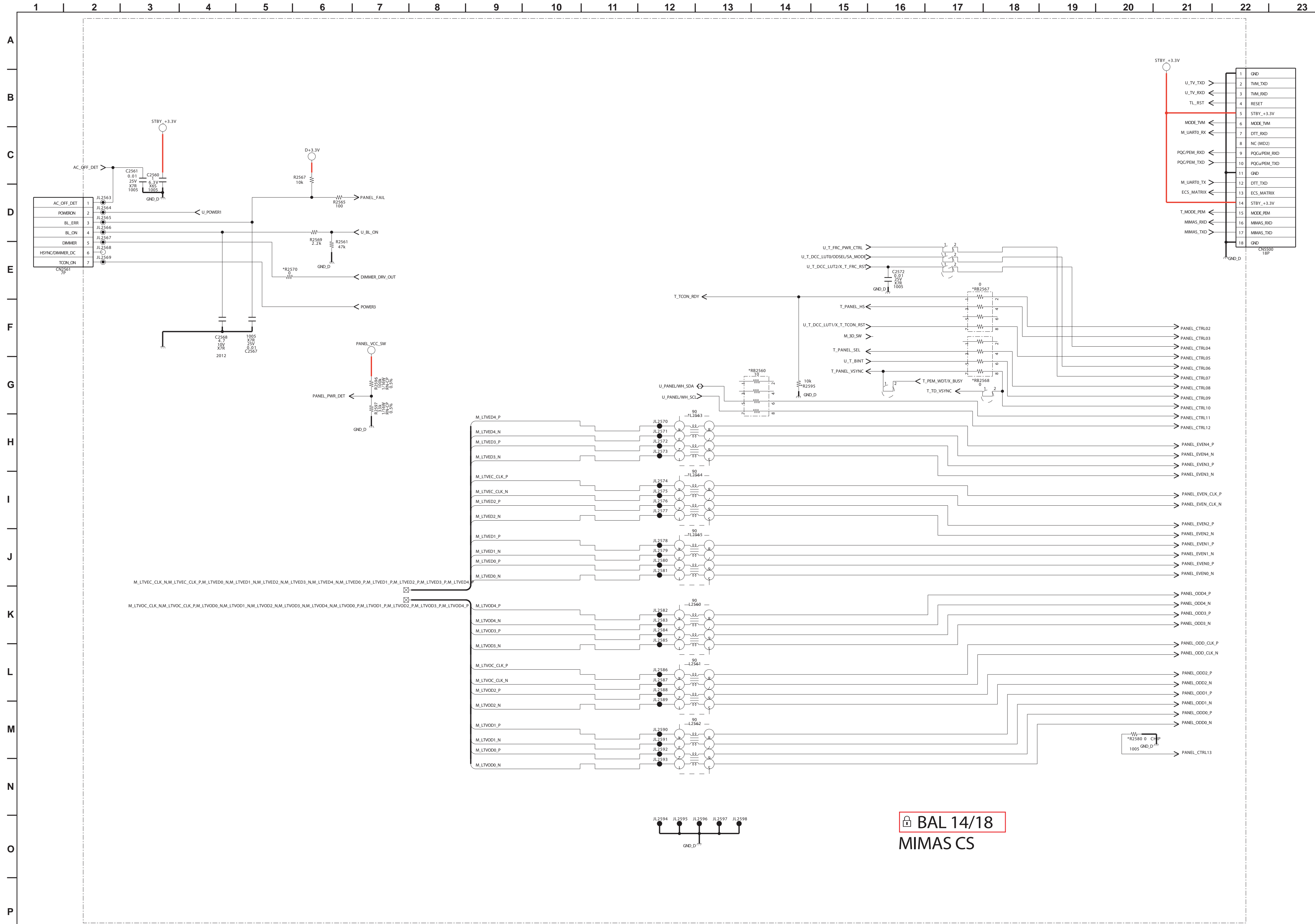
BAL 10/18
HDMI EQ_SW

BAL BOARD SCHEMATIC DIAGRAM (12 OF 18)

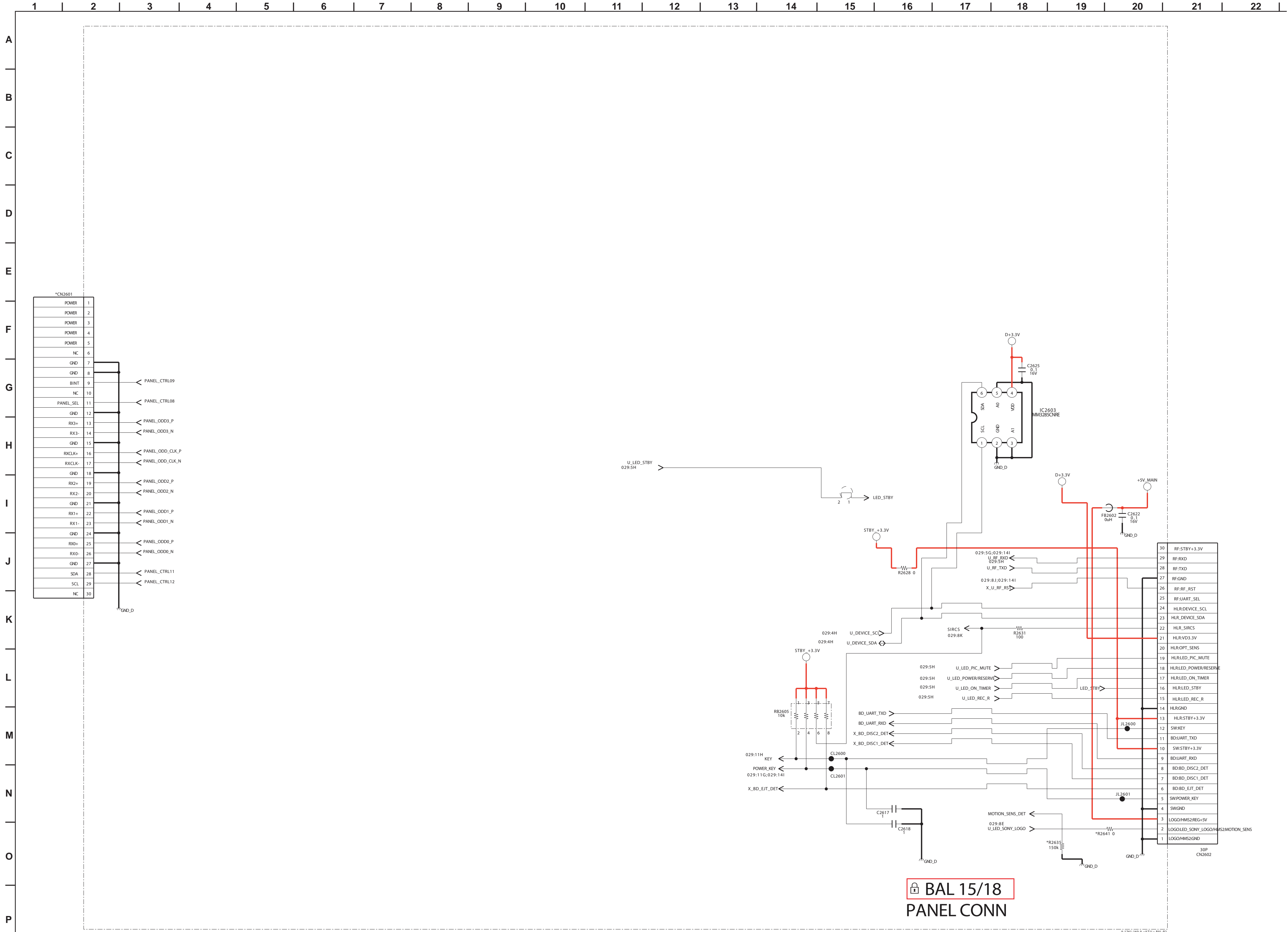


BAL 12/18
PC INPUT

BAL BOARD SCHEMATIC DIAGRAM (14 OF 18)

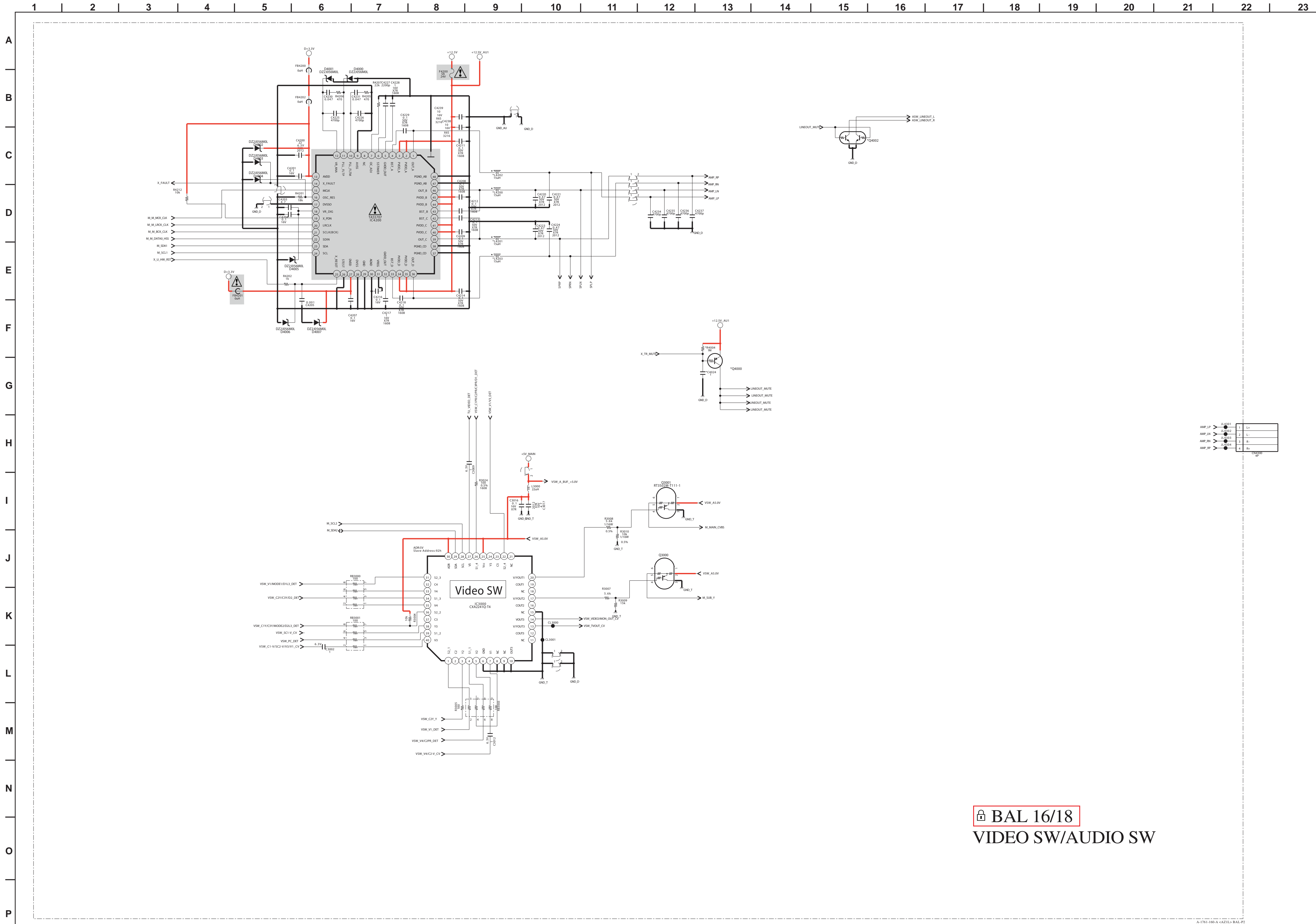


BAL BOARD SCHEMATIC DIAGRAM (15 OF 18)



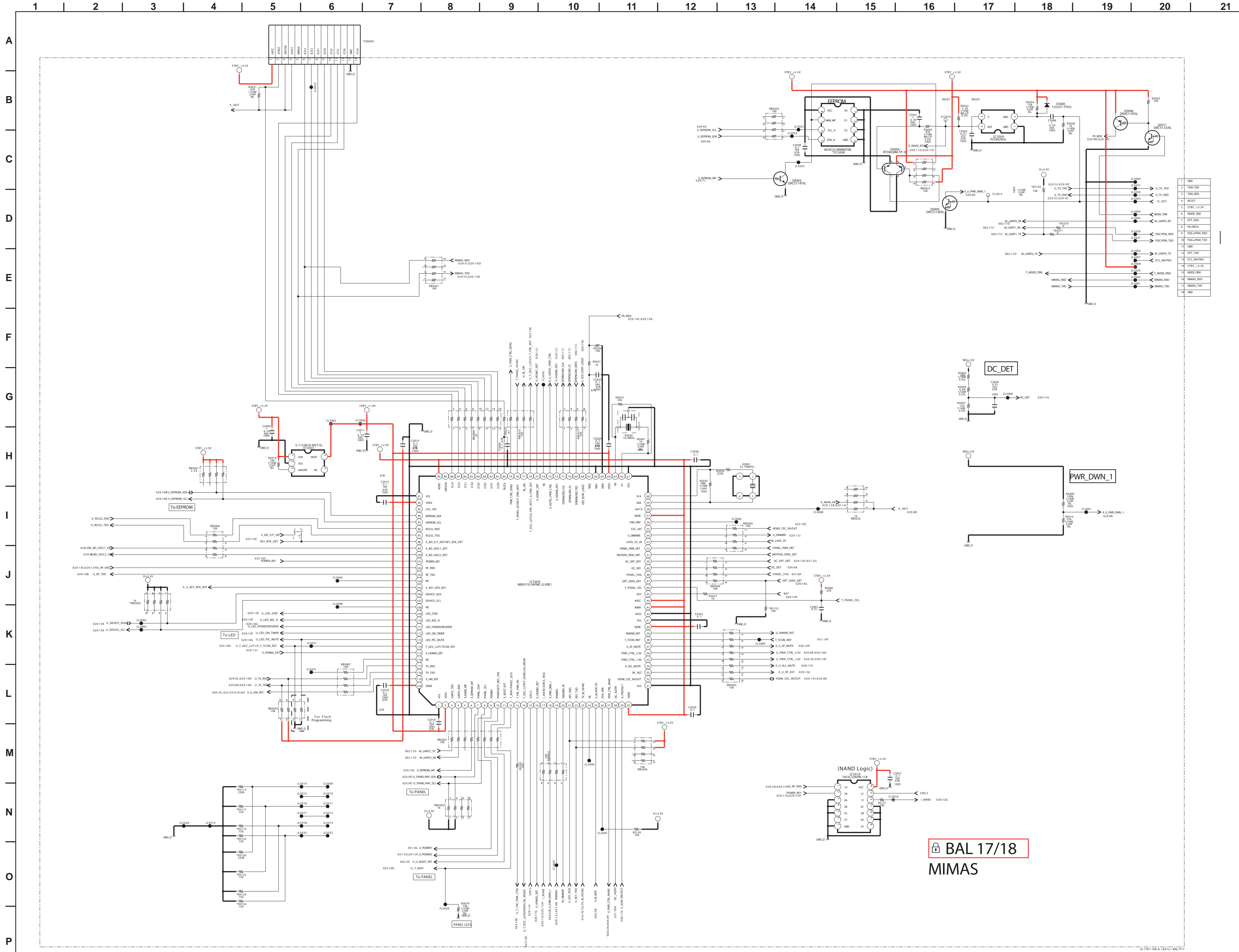
BAL 15/18
PANEL CONN

BAL BOARD SCHEMATIC DIAGRAM (16 OF 18)



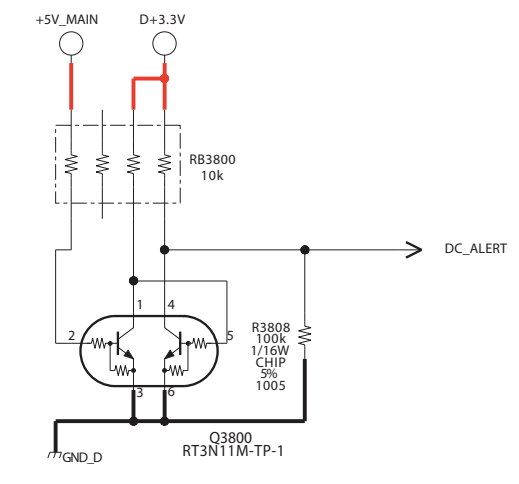
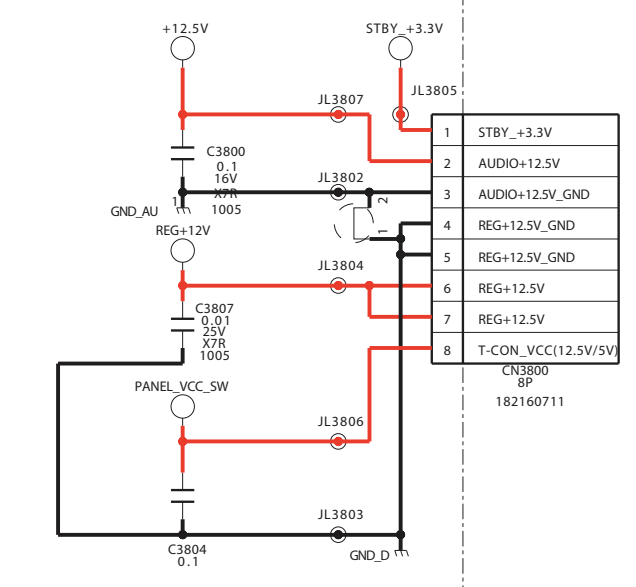
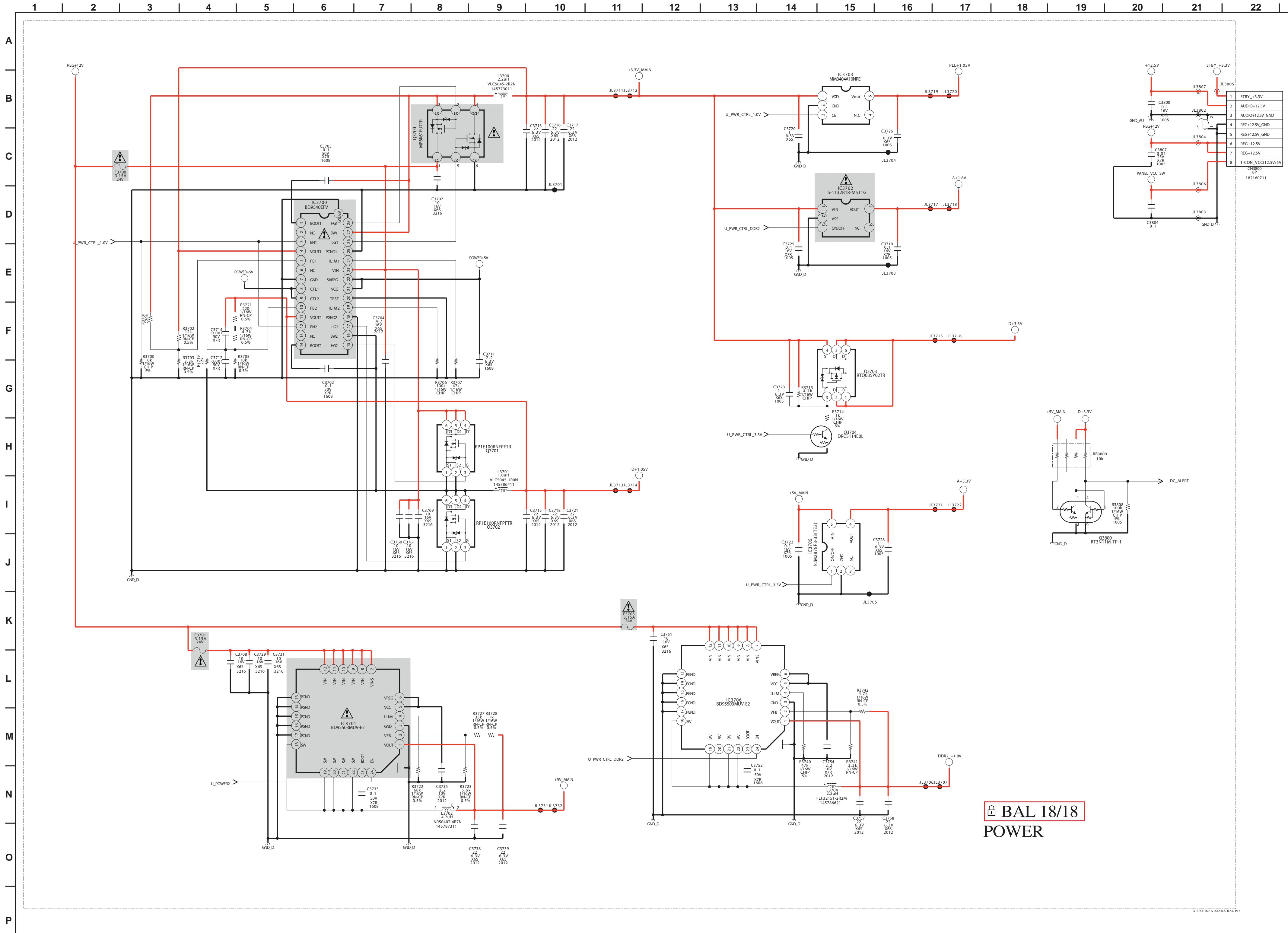
BAL 16/18 VIDEO SW/AUDIO SW

BAL BOARD SCHEMATIC DIAGRAM (17 OF 18)



BAL 17/18 MIMAS

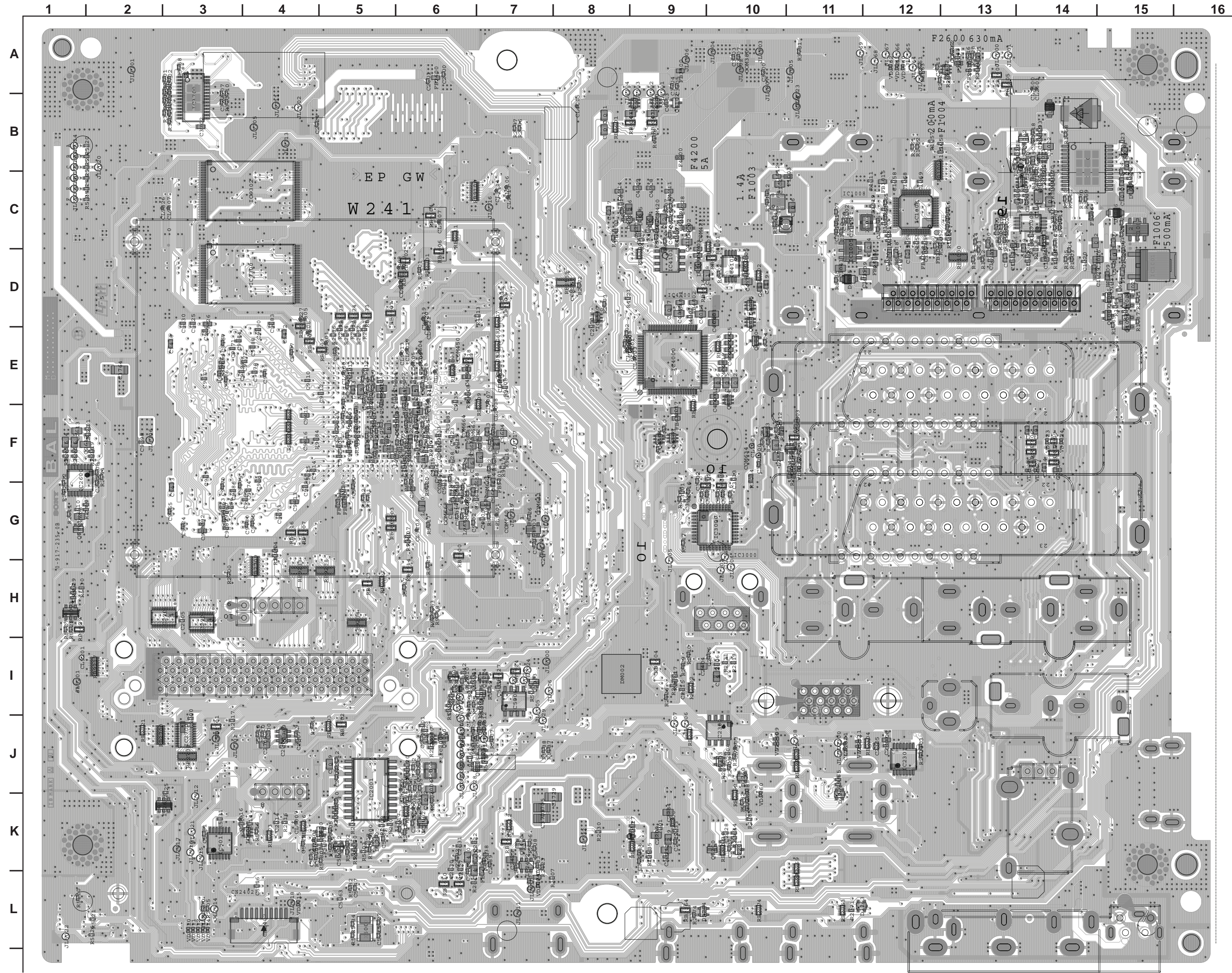
BAL BOARD SCHEMATIC DIAGRAM (18 OF 18)



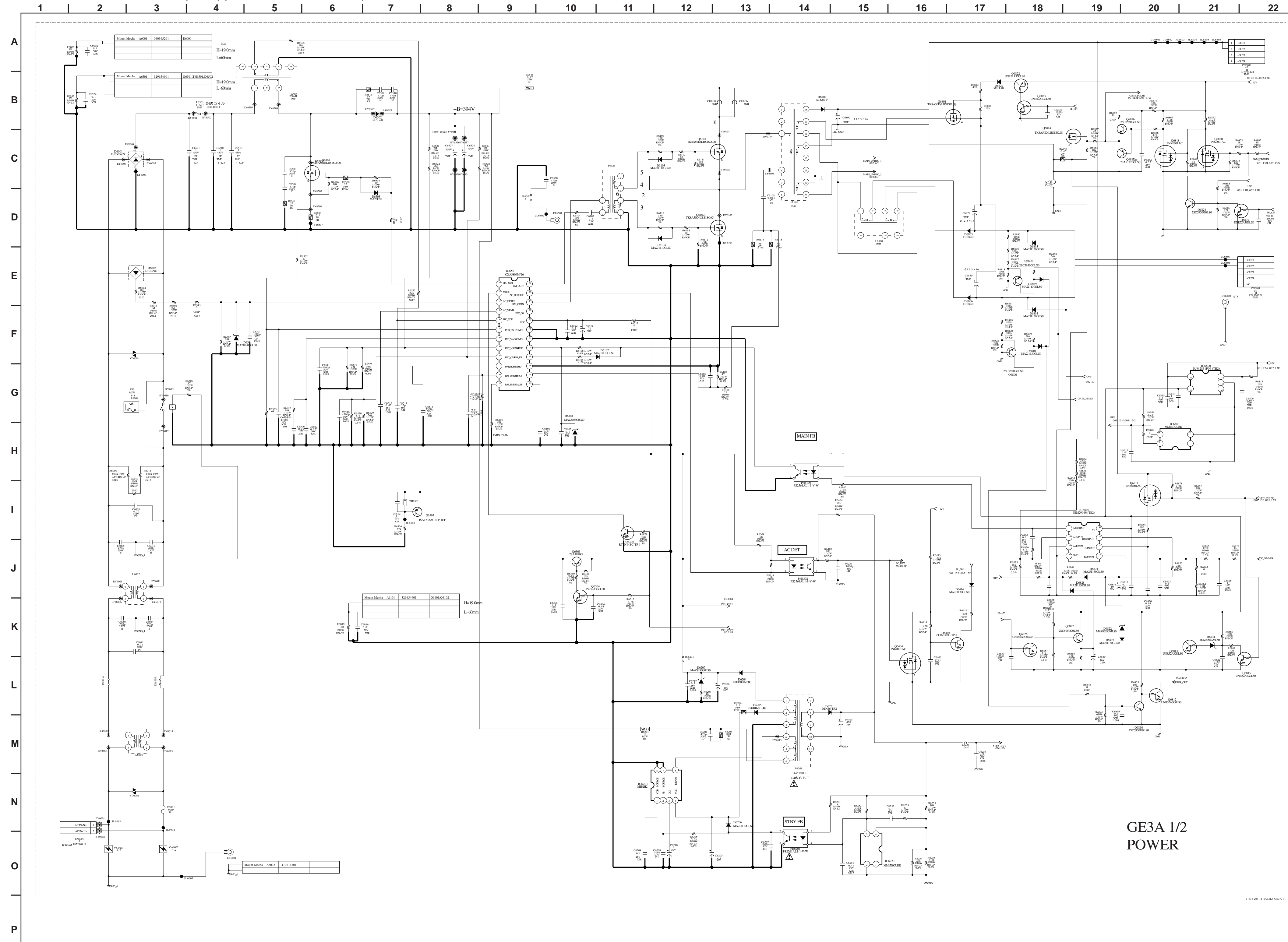
BAL 18/18
POWER

BAL

[E3TL-2 SYSTEM/STREAM/DEMODO/STRAPS/C/NAND/DDR2/VIDEO/IN/OUT/AUDIO IN/OUT/ETHERNET/USB/POWER/GND/HDMI/LVDS/TUNER/COMPOSITE/COMPONENT IN/HDMI EQ_SW/HDMI CONNECTOR/PC INPUT/ETHERNET/USB/MIMAS CS/PANEL CONN/VIDEO SW/AUDIO SW/MIMAS/POWER]
CONDUCTOR SIDE

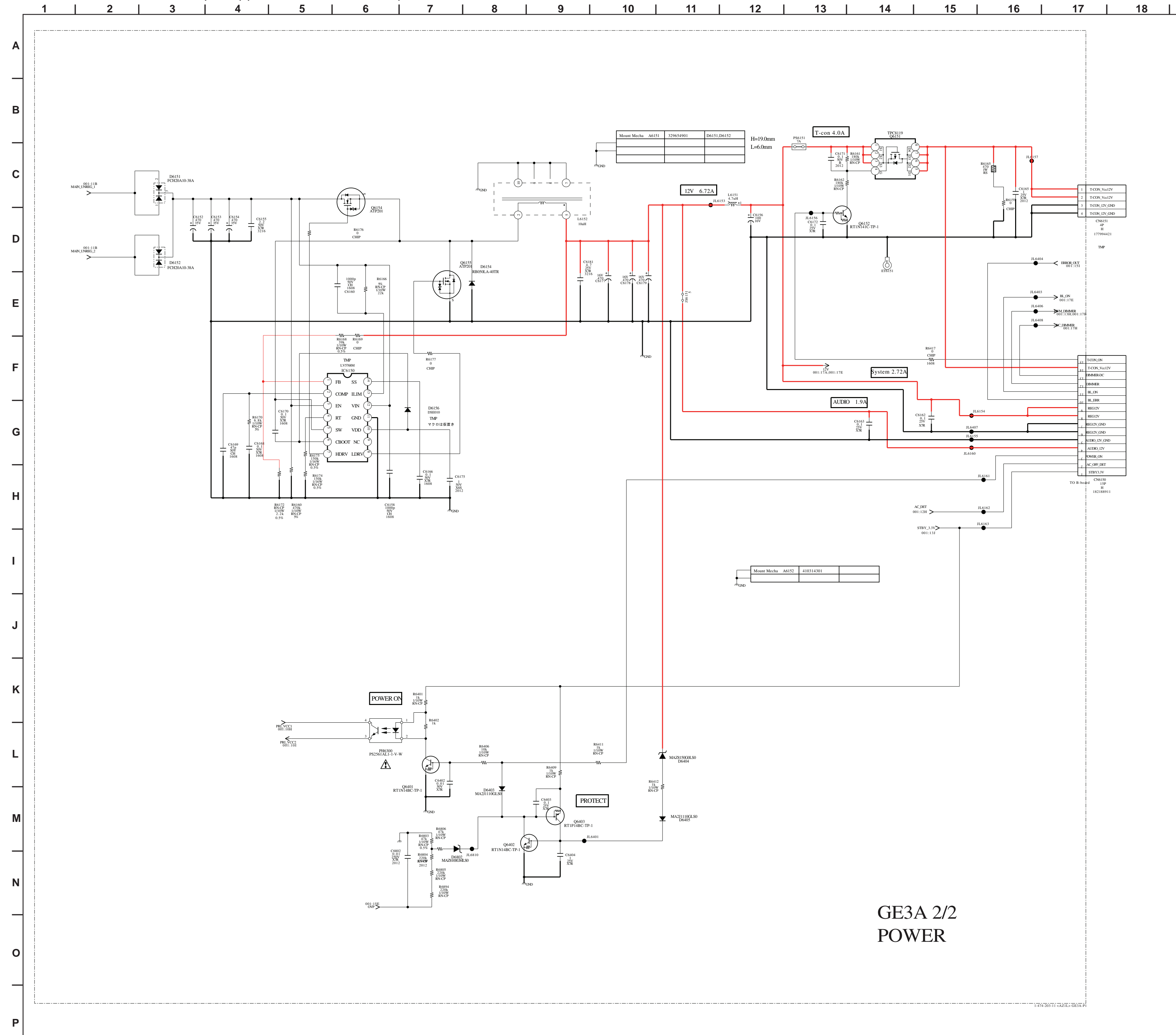


GE3A BOARD SCHEMATIC DIAGRAM (1 OF 2) (KDL-40EX715/46EX715 ONLY)



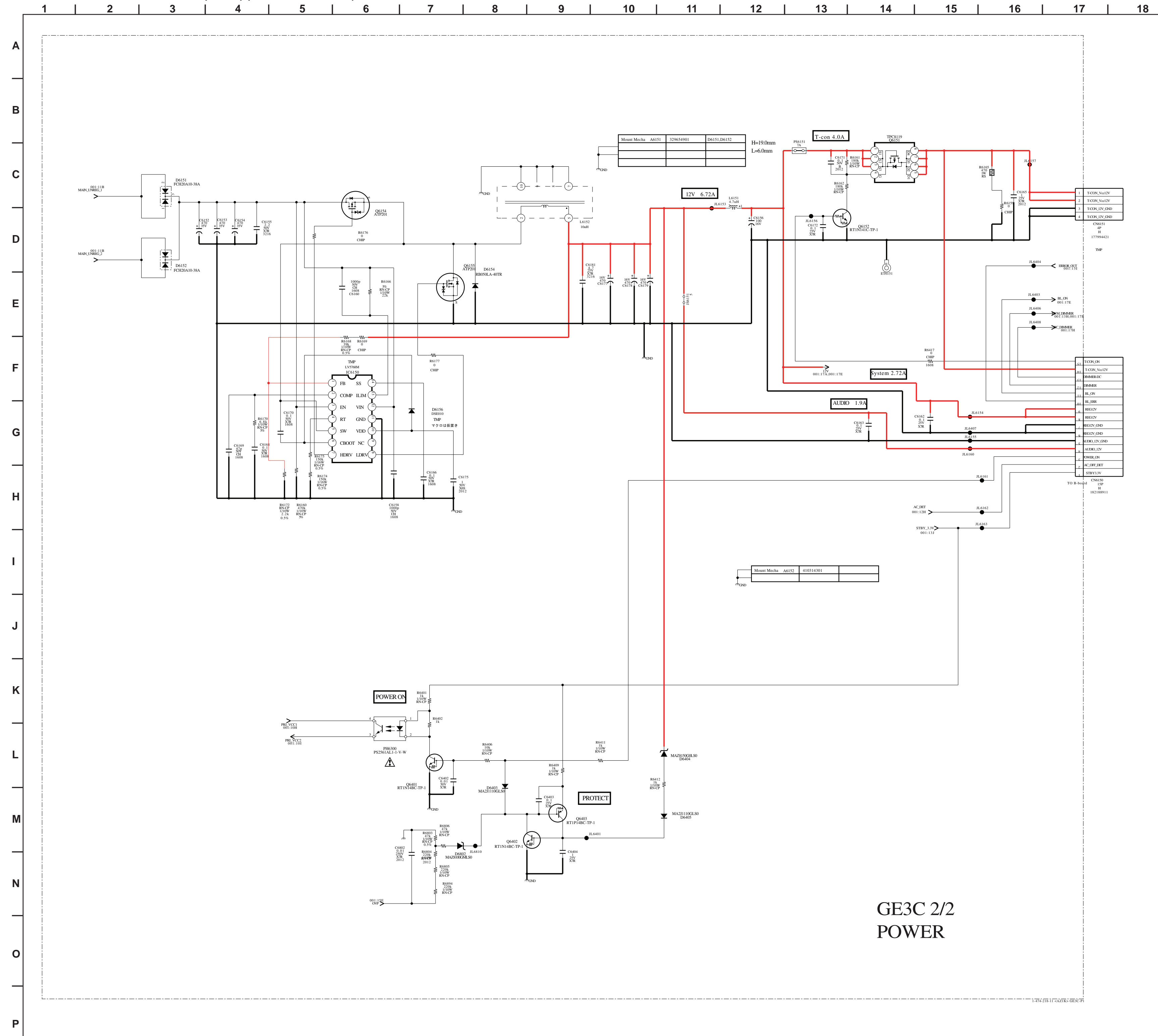
GE3A 1/2
POWER

GE3A BOARD SCHEMATIC DIAGRAM (2 OF 2) (KDL-40EX715/46EX715 ONLY)



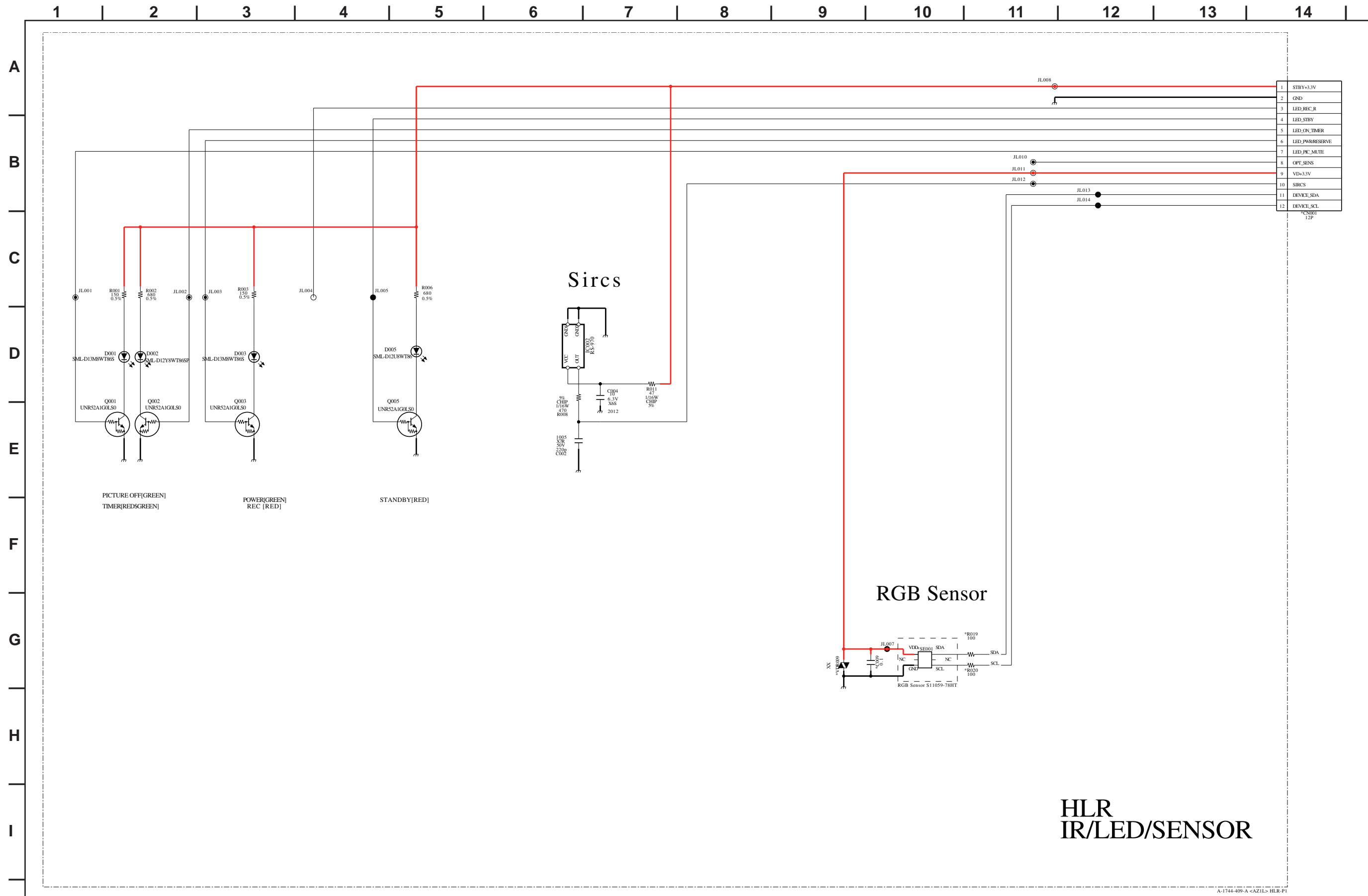
GE3A 2/2
POWER

GE3C BOARD SCHEMATIC DIAGRAM (2 OF 2) (KDL-32EX715 ONLY)



GE3C 2/2
POWER

HLR BOARD SCHEMATIC DIAGRAM

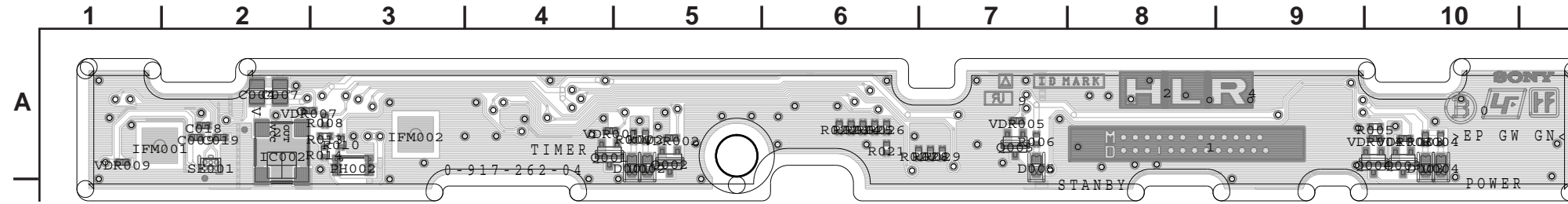


HLR
IR/LED/SENSOR

HLR

[IR/LED/SENSOR]

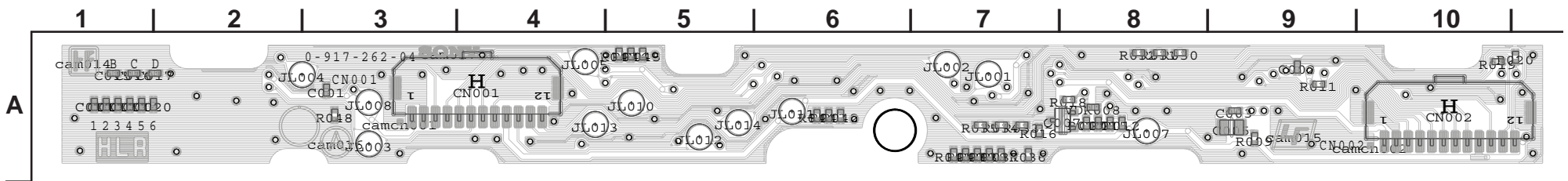
COMPONENT SIDE



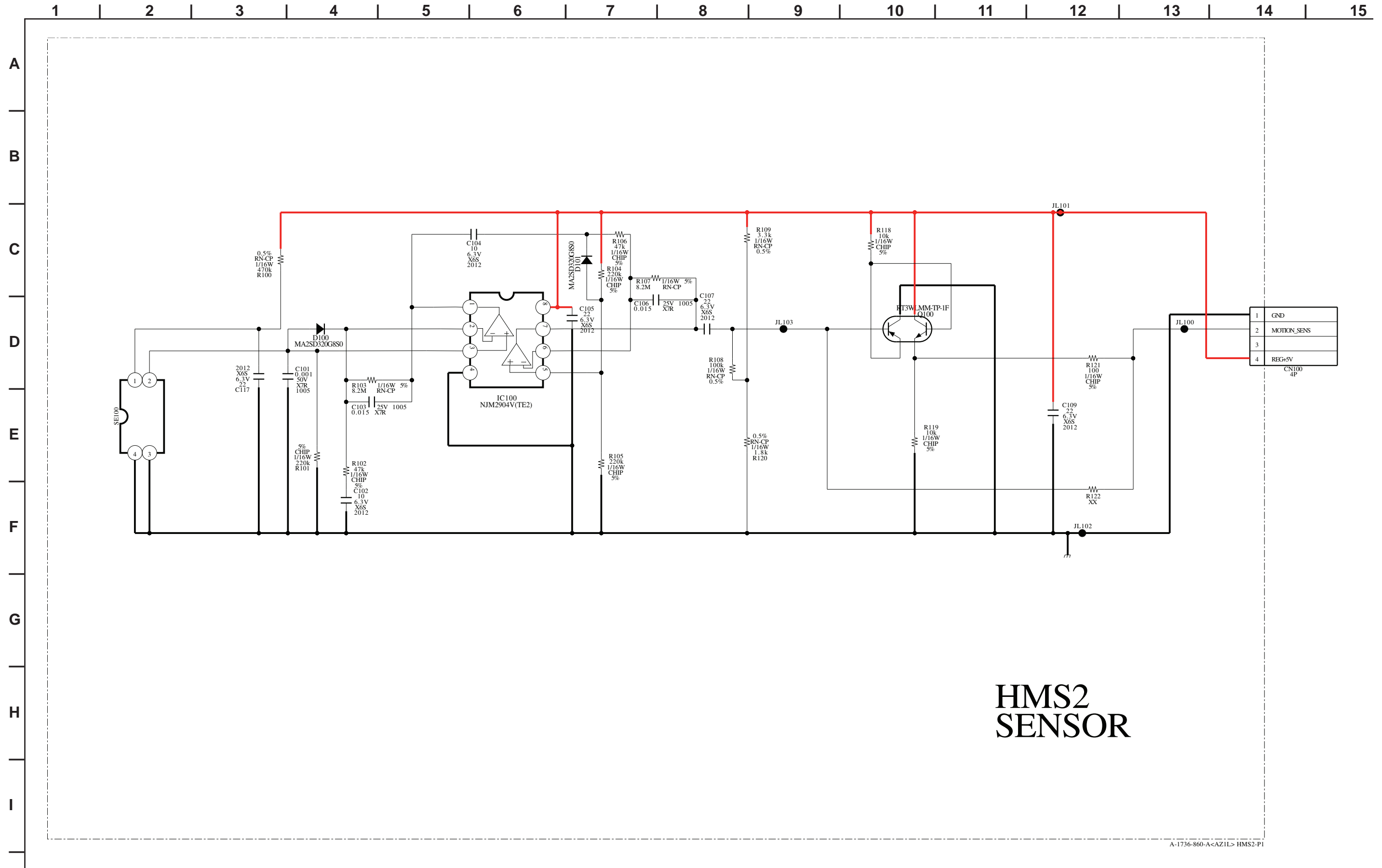
HLR

[IR/LED/SENSOR]

CONDUCTOR SIDE



HMS2 BOARD SCHEMATIC DIAGRAM

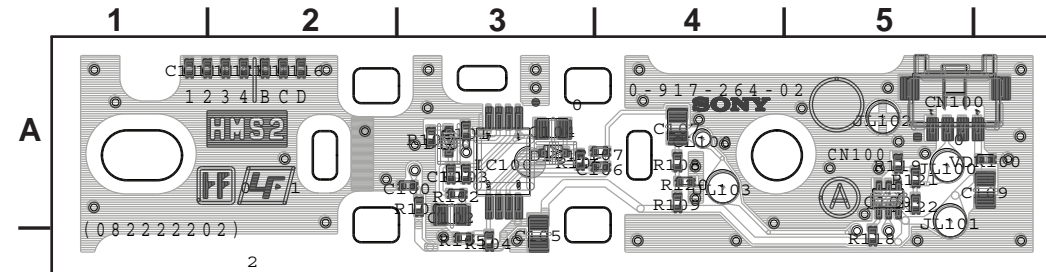


HMS2 SENSOR

A-1736-860-A<AZIL> HMS2-PI

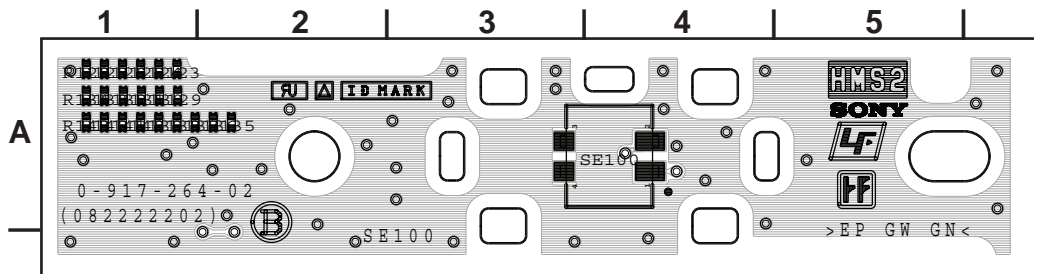
HMS2

[SENSOR]
COMPONENT SIDE



HMS2

[SENSOR]
CONDUCTOR SIDE



SECTION 2: ELECTRICAL PARTS LIST

NOTE: The components identified by shading and \triangle mark are critical for safety. Replace only with part number specified.

* Items marked with an asterisk are not stocked since they are seldom required for routine service. Expect some delay when ordering these components.

NOTE: The components identified by a red outline and a \square mark contain confidential information. Specific instructions must be adhered to whenever these components are repaired and/or replaced.
See Appendix A: Encryption Key Components in the back of this manual.



RESISTORS

- All resistors are in ohms
- F : nonflammable
- All variable and adjustable resistors have characteristic curve B, unless otherwise noted.

When ordering parts by reference number, please include the board name.

REF. NO.	PART NO.	DESCRIPTION	VALUES	REF. NO.	PART NO.	DESCRIPTION	VALUES
<div style="display: flex; align-items: center;"> <div style="font-size: 2em; margin-right: 10px;">\square</div> <div> <p>A-1763-464-C BAL BOARD COMPLETE</p> <p>NOTE: For BAL Board replacement, please refer to section 2-2. Adjustments after Replacing the BAL Board in the Service Manual for these models.</p> <p>NOTE: Final software is not installed on this BAL Board. Install the update after replacing this board using the instructions provided with the software.</p> </div> </div>				C1097	1-112-781-11	CERAMIC CHIP	1 μ F 10% 10V
				C1099	1-114-813-11	CERAMIC CHIP	1 μ F 10% 16V
				C1100	1-100-905-11	CERAMIC CHIP	0.001 μ F 10% 50V
				C1101	1-114-813-11	CERAMIC CHIP	1 μ F 10% 16V
				C1102	1-164-866-11	CERAMIC CHIP	47pF 5% 50V
				C1110	1-100-905-11	CERAMIC CHIP	0.001 μ F 10% 50V
				C1111	1-100-905-11	CERAMIC CHIP	0.001 μ F 10% 50V
				C1112	1-100-905-11	CERAMIC CHIP	0.001 μ F 10% 50V
				C2060	1-112-777-11	CERAMIC CHIP	0.01 μ F 10% 25V
				C2061	1-114-365-11	CAP, CERAMIC	1000PF X7R (1410)
				C2063	1-114-353-11	CAP, CERAMIC	0.01MF X7R (1410)
				C2064	1-112-068-11	CERAMIC CHIP	220pF 10% 50V
				C2065	1-112-068-11	CERAMIC CHIP	220pF 10% 50V
				C2066	1-100-905-11	CERAMIC CHIP	0.001 μ F 10% 50V
				C2067	1-112-781-11	CERAMIC CHIP	1 μ F 10% 10V
				C2068	1-112-781-11	CERAMIC CHIP	1 μ F 10% 10V
				C2200	1-100-909-11	CERAMIC CHIP	10 μ F 10% 6.3V
				C2201	1-100-916-11	CERAMIC CHIP	0.1 μ F 10% 16V
				C2208	1-114-130-11	CERAMIC CHIP	1 μ F 10% 6.3V
				C2210	1-100-916-11	CERAMIC CHIP	0.1 μ F 10% 16V
				C2211	1-114-130-11	CERAMIC CHIP	1 μ F 10% 6.3V
				C2216	1-114-130-11	CERAMIC CHIP	1 μ F 10% 6.3V
				C2217	1-100-916-11	CERAMIC CHIP	0.1 μ F 10% 16V
				C2218	1-114-130-11	CERAMIC CHIP	1 μ F 10% 6.3V
				C2220	1-114-130-11	CERAMIC CHIP	1 μ F 10% 6.3V
				C2224	1-100-916-11	CERAMIC CHIP	0.1 μ F 10% 16V
				C2226	1-114-130-11	CERAMIC CHIP	1 μ F 10% 6.3V
				C2227	1-114-130-11	CERAMIC CHIP	1 μ F 10% 6.3V
				C2228	1-114-130-11	CERAMIC CHIP	1 μ F 10% 6.3V
				C2273	1-164-862-11	CERAMIC CHIP	33pF 5% 50V
				C2274	1-164-862-11	CERAMIC CHIP	33pF 5% 50V
				C2275	1-164-862-11	CERAMIC CHIP	33pF 5% 50V
				C2276	1-164-862-11	CERAMIC CHIP	33pF 5% 50V
				C2277	1-164-862-11	CERAMIC CHIP	33pF 5% 50V
				C2300	1-114-365-11	CAP, CERAMIC	1000PF X7R (1410)
C1002	1-114-130-11	CERAMIC CHIP	1 μ F 10% 6.3V				
C1007	1-112-778-11	CERAMIC CHIP	0.022 μ F 10% 25V				
C1011	1-112-776-11	CERAMIC CHIP	0.0047 μ F 10% 50V				
C1017	1-112-775-11	CERAMIC CHIP	0.0022 μ F 10% 50V				
C1019	1-114-326-11	CERAMIC CHIP	0.22 μ F 10% 25V				
C1022	1-114-870-11	CERAMIC CHIP	4.7 μ F 10% 16V				
C1024	1-114-130-11	CERAMIC CHIP	1 μ F 10% 6.3V				
C1025	1-100-916-11	CERAMIC CHIP	0.1 μ F 10% 16V				
C1026	1-100-909-11	CERAMIC CHIP	10 μ F 10% 6.3V				
C1027	1-114-870-11	CERAMIC CHIP	4.7 μ F 10% 16V				
C1028	1-100-916-11	CERAMIC CHIP	0.1 μ F 10% 16V				
C1029	1-100-916-11	CERAMIC CHIP	0.1 μ F 10% 16V				
C1030	1-100-916-11	CERAMIC CHIP	0.1 μ F 10% 16V				
C1031	1-114-332-11	CERAMIC CHIP	22 μ F 10% 6.3V				
C1038	1-100-909-11	CERAMIC CHIP	10 μ F 10% 6.3V				
C1039	1-100-916-11	CERAMIC CHIP	0.1 μ F 10% 16V				
C1040	1-100-909-11	CERAMIC CHIP	10 μ F 10% 6.3V				
C1046	1-114-332-11	CERAMIC CHIP	22 μ F 10% 6.3V				
C1047	1-114-130-11	CERAMIC CHIP	1 μ F 10% 6.3V				
C1048	1-100-909-11	CERAMIC CHIP	10 μ F 10% 6.3V				
C1070	1-100-916-11	CERAMIC CHIP	0.1 μ F 10% 16V				
C1071	1-100-916-11	CERAMIC CHIP	0.1 μ F 10% 16V				
C1093	1-100-905-11	CERAMIC CHIP	0.001 μ F 10% 50V				
C1094	1-114-813-11	CERAMIC CHIP	1 μ F 10% 16V				
C1095	1-164-866-11	CERAMIC CHIP	47pF 5% 50V				



REF. NO.	PART NO.	DESCRIPTION	VALUES			REF. NO.	PART NO.	DESCRIPTION	VALUES		
C2301	1-114-365-11	CAP, CERAMIC	1000PF X7R (1410)			C3016	1-100-916-11	CERAMIC CHIP	0.1μF	10%	16V
C2302	1-112-781-11	CERAMIC CHIP	1μF	10%	10V	C3017	1-114-870-11	CERAMIC CHIP	4.7μF	10%	16V
C2303	1-112-781-11	CERAMIC CHIP	1μF	10%	10V	C3700	1-116-400-11	CERAMIC CHIP	680pF	10%	50V
C2304	1-100-916-11	CERAMIC CHIP	0.1μF	10%	16V	C3701	1-116-400-11	CERAMIC CHIP	680pF	10%	50V
C2307	1-100-916-11	CERAMIC CHIP	0.1μF	10%	16V	C3702	1-114-868-11	CERAMIC CHIP	0.1μF	10%	50V
C2308	1-100-916-11	CERAMIC CHIP	0.1μF	10%	16V	C3703	1-114-868-11	CERAMIC CHIP	0.1μF	10%	50V
C2402	1-100-909-11	CERAMIC CHIP	10μF	10%	6.3V	C3704	1-114-870-11	CERAMIC CHIP	4.7μF	10%	16V
C2406	1-100-916-11	CERAMIC CHIP	0.1μF	10%	16V	C3707	1-114-553-11	CERAMIC CHIP	10μF	10%	16V
C2407	1-100-916-11	CERAMIC CHIP	0.1μF	10%	16V	C3708	1-114-553-11	CERAMIC CHIP	10μF	10%	16V
C2408	1-100-916-11	CERAMIC CHIP	0.1μF	10%	16V	C3709	1-114-553-11	CERAMIC CHIP	10μF	10%	16V
C2409	1-100-916-11	CERAMIC CHIP	0.1μF	10%	16V	C3711	1-114-869-11	CERAMIC CHIP	2.2μF	10%	6.3V
C2412	1-164-874-11	CERAMIC CHIP	100pF	5%	50V	C3712	1-100-905-11	CERAMIC CHIP	0.001μF	10%	50V
C2415	1-100-916-11	CERAMIC CHIP	0.1μF	10%	16V	C3713	1-114-332-11	CERAMIC CHIP	22μF	10%	6.3V
C2417	1-100-909-11	CERAMIC CHIP	10μF	10%	6.3V	C3714	1-100-905-11	CERAMIC CHIP	0.001μF	10%	50V
C2426	1-114-130-11	CERAMIC CHIP	1μF	10%	6.3V	C3715	1-114-332-11	CERAMIC CHIP	22μF	10%	6.3V
C2435	1-114-332-11	CERAMIC CHIP	22μF	10%	6.3V	C3716	1-114-332-11	CERAMIC CHIP	22μF	10%	6.3V
C2437	1-100-916-11	CERAMIC CHIP	0.1μF	10%	16V	C3717	1-114-332-11	CERAMIC CHIP	22μF	10%	6.3V
C2441	1-164-850-11	CERAMIC CHIP	10pF	0.50pF	50V	C3718	1-114-332-11	CERAMIC CHIP	22μF	10%	6.3V
C2442	1-164-850-11	CERAMIC CHIP	10pF	0.50pF	50V	C3719	1-100-916-11	CERAMIC CHIP	0.1μF	10%	16V
C2560	1-114-130-11	CERAMIC CHIP	1μF	10%	6.3V	C3720	1-114-130-11	CERAMIC CHIP	1μF	10%	6.3V
C2561	1-112-777-11	CERAMIC CHIP	0.01μF	10%	25V	C3721	1-114-332-11	CERAMIC CHIP	22μF	10%	6.3V
C2567	1-112-777-11	CERAMIC CHIP	0.01μF	10%	25V	C3722	1-100-916-11	CERAMIC CHIP	0.1μF	10%	16V
C2568	1-114-870-11	CERAMIC CHIP	4.7μF	10%	16V	C3723	1-114-130-11	CERAMIC CHIP	1μF	10%	6.3V
C2572	1-112-777-11	CERAMIC CHIP	0.01μF	10%	25V	C3725	1-100-916-11	CERAMIC CHIP	0.1μF	10%	16V
C2617	1-114-130-11	CERAMIC CHIP	1μF	10%	6.3V	C3726	1-114-130-11	CERAMIC CHIP	1μF	10%	6.3V
C2618	1-114-130-11	CERAMIC CHIP	1μF	10%	6.3V	C3728	1-114-130-11	CERAMIC CHIP	1μF	10%	6.3V
C2620	1-164-874-11	CERAMIC CHIP	100pF	5%	50V	C3729	1-114-553-11	CERAMIC CHIP	10μF	10%	16V
C2622	1-100-916-11	CERAMIC CHIP	0.1μF	10%	16V	C3731	1-114-553-11	CERAMIC CHIP	10μF	10%	16V
C2625	1-100-916-11	CERAMIC CHIP	0.1μF	10%	16V	C3733	1-114-868-11	CERAMIC CHIP	0.1μF	10%	50V
C2801	1-114-365-11	CAP, CERAMIC	1000PF X7R (1410)			C3735	1-112-064-11	CERAMIC CHIP	2.2μF	10%	10V
C2808	1-114-365-11	CAP, CERAMIC	1000PF X7R (1410)			C3738	1-114-332-11	CERAMIC CHIP	22μF	10%	6.3V
C2809	1-114-365-11	CAP, CERAMIC	1000PF X7R (1410)			C3739	1-114-332-11	CERAMIC CHIP	22μF	10%	6.3V
C2814	1-112-781-11	CERAMIC CHIP	1μF	10%	10V	C3751	1-114-553-11	CERAMIC CHIP	10μF	10%	16V
C2815	1-112-781-11	CERAMIC CHIP	1μF	10%	10V	C3752	1-114-868-11	CERAMIC CHIP	0.1μF	10%	50V
C2816	1-114-365-11	CAP, CERAMIC	1000PF X7R (1410)			C3754	1-112-064-11	CERAMIC CHIP	2.2μF	10%	10V
C2819	1-114-365-11	CAP, CERAMIC	1000PF X7R (1410)			C3757	1-114-332-11	CERAMIC CHIP	22μF	10%	6.3V
C2823	1-112-781-11	CERAMIC CHIP	1μF	10%	10V	C3758	1-114-332-11	CERAMIC CHIP	22μF	10%	6.3V
C2824	1-112-781-11	CERAMIC CHIP	1μF	10%	10V	C3760	1-114-553-11	CERAMIC CHIP	10μF	10%	16V
C2843	1-112-781-11	CERAMIC CHIP	1μF	10%	10V	C3761	1-114-553-11	CERAMIC CHIP	10μF	10%	16V
C2844	1-112-781-11	CERAMIC CHIP	1μF	10%	10V	C3800	1-100-916-11	CERAMIC CHIP	0.1μF	10%	16V
C3000	1-114-130-11	CERAMIC CHIP	1μF	10%	6.3V	C3804	1-100-916-11	CERAMIC CHIP	0.1μF	10%	16V
C3001	1-114-130-11	CERAMIC CHIP	1μF	10%	6.3V	C3807	1-112-777-11	CERAMIC CHIP	0.01μF	10%	25V
C3002	1-114-130-11	CERAMIC CHIP	1μF	10%	6.3V	C4000	1-116-079-11	CERAMIC CHIP	10μF	10%	10V
C3009	1-114-130-11	CERAMIC CHIP	1μF	10%	6.3V	C4001	1-116-079-11	CERAMIC CHIP	10μF	10%	10V
C3012	1-114-130-11	CERAMIC CHIP	1μF	10%	6.3V	C4002	1-100-905-11	CERAMIC CHIP	0.001μF	10%	50V



REF. NO.	PART NO.	DESCRIPTION	VALUES			REF. NO.	PART NO.	DESCRIPTION	VALUES		
C4007	1-100-909-11	CERAMIC CHIP	10μF	10%	6.3V	C4228	1-114-813-11	CERAMIC CHIP	1μF	10%	16V
C4008	1-100-909-11	CERAMIC CHIP	10μF	10%	6.3V	C4229	1-114-868-11	CERAMIC CHIP	0.1μF	10%	50V
C4010	1-100-909-11	CERAMIC CHIP	10μF	10%	6.3V	C4230	1-112-779-11	CERAMIC CHIP	0.047μF	10%	25V
C4011	1-100-909-11	CERAMIC CHIP	10μF	10%	6.3V	C4231	1-112-779-11	CERAMIC CHIP	0.047μF	10%	25V
C4012	1-116-079-11	CERAMIC CHIP	10μF	10%	10V	C4234	1-112-776-11	CERAMIC CHIP	0.0047μF	10%	50V
C4013	1-100-916-11	CERAMIC CHIP	0.1μF	10%	16V	C4235	1-112-776-11	CERAMIC CHIP	0.0047μF	10%	50V
C4014	1-100-909-11	CERAMIC CHIP	10μF	10%	6.3V	C4236	1-112-776-11	CERAMIC CHIP	0.0047μF	10%	50V
C4015	1-116-079-11	CERAMIC CHIP	10μF	10%	10V	C4237	1-112-776-11	CERAMIC CHIP	0.0047μF	10%	50V
C4016	1-116-079-11	CERAMIC CHIP	10μF	10%	10V	C4238	1-114-553-11	CERAMIC CHIP	10μF	10%	16V
C4017	1-114-870-11	CERAMIC CHIP	4.7μF	10%	16V	C4239	1-114-553-11	CERAMIC CHIP	10μF	10%	16V
C4018	1-100-916-11	CERAMIC CHIP	0.1μF	10%	16V	C4507	1-114-869-11	CERAMIC CHIP	2.2μF	10%	6.3V
C4019	1-112-781-11	CERAMIC CHIP	1μF	10%	10V	C4508	1-114-332-11	CERAMIC CHIP	22μF	10%	6.3V
C4020	1-112-781-11	CERAMIC CHIP	1μF	10%	10V	C4509	1-112-777-11	CERAMIC CHIP	0.01μF	10%	25V
C4021	1-112-781-11	CERAMIC CHIP	1μF	10%	10V	C4510	1-114-869-11	CERAMIC CHIP	2.2μF	10%	6.3V
C4022	1-112-781-11	CERAMIC CHIP	1μF	10%	10V	C4511	1-114-869-11	CERAMIC CHIP	2.2μF	10%	6.3V
C4023	1-100-916-11	CERAMIC CHIP	0.1μF	10%	16V	C4512	1-114-869-11	CERAMIC CHIP	2.2μF	10%	6.3V
C4024	1-114-813-11	CERAMIC CHIP	1μF	10%	16V	C4535	1-100-916-11	CERAMIC CHIP	0.1μF	10%	16V
C4027	1-112-781-11	CERAMIC CHIP	1μF	10%	10V	C5004	1-112-777-11	CERAMIC CHIP	0.01μF	10%	25V
C4028	1-112-781-11	CERAMIC CHIP	1μF	10%	10V	C5009	1-114-130-11	CERAMIC CHIP	1μF	10%	6.3V
C4031	1-135-366-11	ELECT CHIP	100μF	20%	16V	C5011	1-114-130-11	CERAMIC CHIP	1μF	10%	6.3V
C4032	1-135-366-11	ELECT CHIP	100μF	20%	16V	C5013	1-100-916-11	CERAMIC CHIP	0.1μF	10%	16V
C4033	1-112-781-11	CERAMIC CHIP	1μF	10%	10V	C5014	1-100-916-11	CERAMIC CHIP	0.1μF	10%	16V
C4034	1-112-781-11	CERAMIC CHIP	1μF	10%	10V	C5015	1-100-916-11	CERAMIC CHIP	0.1μF	10%	16V
C4200	1-114-332-11	CERAMIC CHIP	22μF	10%	6.3V	C5018	1-100-916-11	CERAMIC CHIP	0.1μF	10%	16V
C4201	1-100-916-11	CERAMIC CHIP	0.1μF	10%	16V	C5020	1-100-916-11	CERAMIC CHIP	0.1μF	10%	16V
C4203	1-114-870-11	CERAMIC CHIP	4.7μF	10%	16V	C5023	1-100-916-11	CERAMIC CHIP	0.1μF	10%	16V
C4204	1-100-916-11	CERAMIC CHIP	0.1μF	10%	16V	C5024	1-100-916-11	CERAMIC CHIP	0.1μF	10%	16V
C4205	1-100-905-11	CERAMIC CHIP	0.001μF	10%	50V	C5029	1-100-916-11	CERAMIC CHIP	0.1μF	10%	16V
C4207	1-100-916-11	CERAMIC CHIP	0.1μF	10%	16V	C5030	1-100-916-11	CERAMIC CHIP	0.1μF	10%	16V
C4208	1-114-868-11	CERAMIC CHIP	0.1μF	10%	50V	C5032	1-100-916-11	CERAMIC CHIP	0.1μF	10%	16V
C4209	1-114-868-11	CERAMIC CHIP	0.1μF	10%	50V	C5036	1-164-848-11	CERAMIC CHIP	8pF	0.50pF	50V
C4211	1-114-868-11	CERAMIC CHIP	0.1μF	10%	50V	C5037	1-164-848-11	CERAMIC CHIP	8pF	0.50pF	50V
C4212	1-114-868-11	CERAMIC CHIP	0.1μF	10%	50V	C5038	1-100-916-11	CERAMIC CHIP	0.1μF	10%	16V
C4213	1-114-868-11	CERAMIC CHIP	0.1μF	10%	50V	C5041	1-114-130-11	CERAMIC CHIP	1μF	10%	6.3V
C4214	1-114-868-11	CERAMIC CHIP	0.1μF	10%	50V	C5042	1-112-777-11	CERAMIC CHIP	0.01μF	10%	25V
C4216	1-100-916-11	CERAMIC CHIP	0.1μF	10%	16V	C5048	1-114-130-11	CERAMIC CHIP	1μF	10%	6.3V
C4217	1-114-813-11	CERAMIC CHIP	1μF	10%	16V	C5051	1-100-916-11	CERAMIC CHIP	0.1μF	10%	16V
C4218	1-114-868-11	CERAMIC CHIP	0.1μF	10%	50V	C5061	1-112-777-11	CERAMIC CHIP	0.01μF	10%	25V
C4220	1-114-329-11	CERAMIC CHIP	0.47μF	10%	50V	C9001	1-164-844-11	CERAMIC CHIP	4pF	0.25pF	50V
C4221	1-114-329-11	CERAMIC CHIP	0.47μF	10%	50V	C9002	1-164-844-11	CERAMIC CHIP	4pF	0.25pF	50V
C4223	1-114-329-11	CERAMIC CHIP	0.47μF	10%	50V	C9003	1-100-916-11	CERAMIC CHIP	0.1μF	10%	16V
C4224	1-114-329-11	CERAMIC CHIP	0.47μF	10%	50V	C9301	1-100-909-11	CERAMIC CHIP	10μF	10%	6.3V
C4225	1-112-776-11	CERAMIC CHIP	0.0047μF	10%	50V	C9303	1-112-777-11	CERAMIC CHIP	0.01μF	10%	25V
C4226	1-112-776-11	CERAMIC CHIP	0.0047μF	10%	50V	C9304	1-100-916-11	CERAMIC CHIP	0.1μF	10%	16V
C4227	1-112-775-11	CERAMIC CHIP	0.0022μF	10%	50V	C9306	1-114-130-11	CERAMIC CHIP	1μF	10%	6.3V



REF. NO.	PART NO.	DESCRIPTION	VALUES			REF. NO.	PART NO.	DESCRIPTION	VALUES		
C9312	1-112-777-11	CERAMIC CHIP	0.01μF	10%	25V	C9610	1-100-909-11	CERAMIC CHIP	10μF	10%	6.3V
C9313	1-100-916-11	CERAMIC CHIP	0.1μF	10%	16V	C9611	1-114-869-11	CERAMIC CHIP	2.2μF	10%	6.3V
C9315	1-114-130-11	CERAMIC CHIP	1μF	10%	6.3V	C9613	1-100-909-11	CERAMIC CHIP	10μF	10%	6.3V
C9316	1-114-869-11	CERAMIC CHIP	2.2μF	10%	6.3V	C9614	1-100-909-11	CERAMIC CHIP	10μF	10%	6.3V
C9408	1-112-777-11	CERAMIC CHIP	0.01μF	10%	25V	C9615	1-100-909-11	CERAMIC CHIP	10μF	10%	6.3V
C9409	1-100-905-11	CERAMIC CHIP	0.001μF	10%	50V	C9616	1-112-064-11	CERAMIC CHIP	2.2μF	10%	10V
C9410	1-100-916-11	CERAMIC CHIP	0.1μF	10%	16V	C9618	1-112-064-11	CERAMIC CHIP	2.2μF	10%	10V
C9411	1-114-869-11	CERAMIC CHIP	2.2μF	10%	6.3V	C9620	1-100-909-11	CERAMIC CHIP	10μF	10%	6.3V
C9412	1-100-905-11	CERAMIC CHIP	0.001μF	10%	50V	C9622	1-100-916-11	CERAMIC CHIP	0.1μF	10%	16V
C9414	1-100-905-11	CERAMIC CHIP	0.001μF	10%	50V	C9623	1-100-916-11	CERAMIC CHIP	0.1μF	10%	16V
C9415	1-100-916-11	CERAMIC CHIP	0.1μF	10%	16V	C9624	1-100-916-11	CERAMIC CHIP	0.1μF	10%	16V
C9416	1-114-869-11	CERAMIC CHIP	2.2μF	10%	6.3V	C9625	1-100-916-11	CERAMIC CHIP	0.1μF	10%	16V
C9417	1-112-777-11	CERAMIC CHIP	0.01μF	10%	25V	C9626	1-100-916-11	CERAMIC CHIP	0.1μF	10%	16V
C9418	1-114-869-11	CERAMIC CHIP	2.2μF	10%	6.3V	C9627	1-100-916-11	CERAMIC CHIP	0.1μF	10%	16V
C9419	1-100-905-11	CERAMIC CHIP	0.001μF	10%	50V	C9628	1-100-916-11	CERAMIC CHIP	0.1μF	10%	16V
C9420	1-112-777-11	CERAMIC CHIP	0.01μF	10%	25V	C9630	1-100-916-11	CERAMIC CHIP	0.1μF	10%	16V
C9421	1-100-905-11	CERAMIC CHIP	0.001μF	10%	50V	C9632	1-100-916-11	CERAMIC CHIP	0.1μF	10%	16V
C9423	1-100-905-11	CERAMIC CHIP	0.001μF	10%	50V	C9634	1-100-916-11	CERAMIC CHIP	0.1μF	10%	16V
C9429	1-114-130-11	CERAMIC CHIP	1μF	10%	6.3V	C9635	1-100-916-11	CERAMIC CHIP	0.1μF	10%	16V
C9433	1-100-905-11	CERAMIC CHIP	0.001μF	10%	50V	C9636	1-100-916-11	CERAMIC CHIP	0.1μF	10%	16V
C9435	1-100-905-11	CERAMIC CHIP	0.001μF	10%	50V	C9637	1-100-909-11	CERAMIC CHIP	10μF	10%	6.3V
C9436	1-100-916-11	CERAMIC CHIP	0.1μF	10%	16V	C9638	1-100-916-11	CERAMIC CHIP	0.1μF	10%	16V
C9463	1-100-916-11	CERAMIC CHIP	0.1μF	10%	16V	C9639	1-112-779-11	CERAMIC CHIP	0.047μF	10%	25V
C9464	1-100-916-11	CERAMIC CHIP	0.1μF	10%	16V	C9640	1-112-779-11	CERAMIC CHIP	0.047μF	10%	25V
C9466	1-112-777-11	CERAMIC CHIP	0.01μF	10%	25V	C9641	1-164-874-11	CERAMIC CHIP	100pF	5%	50V
C9467	1-112-777-11	CERAMIC CHIP	0.01μF	10%	25V	C9642	1-164-874-11	CERAMIC CHIP	100pF	5%	50V
C9468	1-164-850-11	CERAMIC CHIP	10pF	0.50pF	50V	C9643	1-164-878-11	CERAMIC CHIP	150pF	5%	50V
C9475	1-112-777-11	CERAMIC CHIP	0.01μF	10%	25V	C9644	1-164-878-11	CERAMIC CHIP	150pF	5%	50V
C9477	1-112-777-11	CERAMIC CHIP	0.01μF	10%	25V	C9645	1-100-916-11	CERAMIC CHIP	0.1μF	10%	16V
C9481	1-112-777-11	CERAMIC CHIP	0.01μF	10%	25V	C9646	1-100-916-11	CERAMIC CHIP	0.1μF	10%	16V
C9485	1-112-777-11	CERAMIC CHIP	0.01μF	10%	25V	C9647	1-100-916-11	CERAMIC CHIP	0.1μF	10%	16V
C9487	1-112-777-11	CERAMIC CHIP	0.01μF	10%	25V	C9648	1-100-909-11	CERAMIC CHIP	10μF	10%	6.3V
C9488	1-112-777-11	CERAMIC CHIP	0.01μF	10%	25V	C9651	1-100-909-11	CERAMIC CHIP	10μF	10%	6.3V
C9489	1-112-777-11	CERAMIC CHIP	0.01μF	10%	25V	C9652	1-100-916-11	CERAMIC CHIP	0.1μF	10%	16V
C9490	1-112-777-11	CERAMIC CHIP	0.01μF	10%	25V	C9653	1-100-916-11	CERAMIC CHIP	0.1μF	10%	16V
C9491	1-112-777-11	CERAMIC CHIP	0.01μF	10%	25V	C9654	1-100-916-11	CERAMIC CHIP	0.1μF	10%	16V
C9492	1-164-850-11	CERAMIC CHIP	10pF	0.50pF	50V	C9655	1-100-916-11	CERAMIC CHIP	0.1μF	10%	16V
C9493	1-114-869-11	CERAMIC CHIP	2.2μF	10%	6.3V	C9656	1-100-909-11	CERAMIC CHIP	10μF	10%	6.3V
C9494	1-112-777-11	CERAMIC CHIP	0.01μF	10%	25V	C9657	1-100-909-11	CERAMIC CHIP	10μF	10%	6.3V
C9498	1-164-862-11	CERAMIC CHIP	33pF	5%	50V	C9660	1-100-916-11	CERAMIC CHIP	0.1μF	10%	16V
C9604	1-100-909-11	CERAMIC CHIP	10μF	10%	6.3V	C9666	1-100-916-11	CERAMIC CHIP	0.1μF	10%	16V
C9606	1-100-909-11	CERAMIC CHIP	10μF	10%	6.3V	C9731	1-112-777-11	CERAMIC CHIP	0.01μF	10%	25V
C9607	1-100-909-11	CERAMIC CHIP	10μF	10%	6.3V	C9800	1-100-909-11	CERAMIC CHIP	10μF	10%	6.3V
C9608	1-100-909-11	CERAMIC CHIP	10μF	10%	6.3V	C9801	1-100-909-11	CERAMIC CHIP	10μF	10%	6.3V
C9609	1-114-869-11	CERAMIC CHIP	2.2μF	10%	6.3V	C9802	1-100-916-11	CERAMIC CHIP	0.1μF	10%	16V

NOTE: The components identified by shading and \triangle mark are critical for safety. Replace only with part number specified.

REF. NO.	PART NO.	DESCRIPTION	VALUES	REF. NO.	PART NO.	DESCRIPTION	VALUES
C9806	1-100-916-11	CERAMIC CHIP	0.1 μ F 10% 16V	FERRITE BEAD			
C9813	1-100-909-11	CERAMIC CHIP	10 μ F 10% 6.3V	FB1001	1-481-199-21	FERRITE	0 μ H
C9814	1-100-916-11	CERAMIC CHIP	0.1 μ F 10% 16V	FB1004	1-481-199-21	FERRITE	0 μ H
C9820	1-100-916-11	CERAMIC CHIP	0.1 μ F 10% 16V	FB1005	1-481-199-21	FERRITE	0 μ H
C9822	1-100-916-11	CERAMIC CHIP	0.1 μ F 10% 16V	FB1007	1-481-199-21	FERRITE	0 μ H
C9823	1-100-916-11	CERAMIC CHIP	0.1 μ F 10% 16V	FB1010	1-481-199-21	FERRITE	0 μ H
C9825	1-100-916-11	CERAMIC CHIP	0.1 μ F 10% 16V	FB1011	1-481-517-11	FERRITE	0 μ H
C9902	1-100-916-11	CERAMIC CHIP	0.1 μ F 10% 16V	FB1012	1-481-199-21	FERRITE	0 μ H
C9903	1-100-916-11	CERAMIC CHIP	0.1 μ F 10% 16V	FB1013	1-400-693-21	FERRITE	0 μ H
C9904	1-112-777-11	CERAMIC CHIP	0.01 μ F 10% 25V	FB1017	1-481-199-21	FERRITE	0 μ H
C9906	1-114-130-11	CERAMIC CHIP	1 μ F 10% 6.3V	FB1018	1-481-199-21	FERRITE	0 μ H
C9907	1-112-777-11	CERAMIC CHIP	0.01 μ F 10% 25V	FB2060	1-481-517-11	FERRITE	0 μ H
C9908	1-114-869-11	CERAMIC CHIP	2.2 μ F 10% 6.3V	FB2401	1-481-517-11	FERRITE	0 μ H
C9911	1-100-916-11	CERAMIC CHIP	0.1 μ F 10% 16V	FB2404	1-481-517-11	FERRITE	0 μ H
C9912	1-100-916-11	CERAMIC CHIP	0.1 μ F 10% 16V	FB2602	1-481-517-11	FERRITE	0 μ H
C9914	1-100-909-11	CERAMIC CHIP	10 μ F 10% 6.3V	FB4000	1-400-179-21	FERRITE	0 μ H
C9915	1-100-916-11	CERAMIC CHIP	0.1 μ F 10% 16V	FB4001	1-400-179-21	FERRITE	0 μ H
C9916	1-100-909-11	CERAMIC CHIP	10 μ F 10% 6.3V	FB4002	1-400-179-21	FERRITE	0 μ H
CONNECTOR				FB4200	1-400-834-21	FERRITE	0 μ H
* CN2260	1-822-482-11	HDMI CONNECTOR		\triangle FB4201	1-400-834-21	FERRITE	0 μ H
* CN2261	1-822-482-11	HDMI CONNECTOR		FB4202	1-400-834-21	FERRITE	0 μ H
* CN2263	1-822-484-11	HDMI CONNECTOR		FB9600	1-400-462-21	FERRITE	0 μ H
* CN2264	1-822-484-11	HDMI CONNECTOR		FB9605	1-400-462-21	FERRITE	0 μ H
CN2301	1-822-525-21	OPTICAL OUT CONNECTOR		FB9730	1-481-517-11	FERRITE	0 μ H
* CN2302	1-821-827-21	D SUB CONNECTOR		FB9731	1-481-517-11	FERRITE	0 μ H
* CN2400	1-821-868-11	ETHERNET CONNECTOR	(8P)	FILTER			
CN2401	1-821-834-12	USB CONNECTOR		FL2200	1-234-939-21	FILTER, EMI REMOVAL (SMD)	
* CN2402	1-818-808-51	CONNECTOR, FFC/FPC	10P	IC			
* CN2561	1-819-475-11	HEADER ASSEMBLY FOR PWB		IC1002	6-710-880-01	IC	S-1132B33-U5T1G
CN2600	1-822-583-11	HEADER ASSEMBLY FOR PWB		IC1006	6-709-510-01	IC	BH76106SHFV-TR
CN2602	1-820-162-11	HEADER ASSEMBLY	30P	IC1009	8-759-278-58	IC	NJM4558V-TE2
CN4300	1-819-461-11	HEADER ASSEMBLY FOR PWB		IC1011	6-711-947-01	IC	MM1431CURE
CN5500	1-779-936-51	CONNECTOR, FFC/FPC	18P	IC2300	6-710-820-01	IC	S-24CS02AFJ-TB-G
DIODE				IC2301	6-708-132-01	IC	74LVC14APW
D1002	8-719-056-48	DIODE	1SS388(TPL3)	IC2400	6-715-016-01	IC	KSZ8041RNLTR
D1006	6-501-119-01	DIODE	RR264M-400	IC2603	6-713-291-01	IC	MM3285CNRE
D2200	6-502-150-01	DIODE	MA2SD320G8S0	IC3000	8-753-289-76	IC	CXA2241Q-T4
D2303	6-502-979-01	DIODE	DA4J104K0L	\triangle IC3700	6-713-863-01	IC	BD9540EFV-SE2
D5005	8-719-027-76	DIODE	1SS357-TPH3	\triangle IC3702	6-709-512-01	IC	S-1132B18-M5T1G
FUSE				IC3705	6-711-237-01	IC	NJM2878F3-33 (TE2)
F1003	1-576-406-31	FUSE	1.4A 32V	IC4503	6-712-397-01	IC	74AHC1G08GW-125
F1006	1-576-646-31	FUSE	0.5A 50V	IC5000	6-713-820-11	IC	MB91F313APMC-G-ERE1
\triangle F4200	1-576-933-31	FUSE	5A 24V	IC5003	6-709-512-01	IC	S-1132B18-M5T1G

NOTE: The components identified by shading and \triangle mark are critical for safety. Replace only with part number specified.

REF. NO.	PART NO.	DESCRIPTION	VALUES	REF. NO.	PART NO.	DESCRIPTION	VALUES
IC5008	6-704-573-01	IC	M24C32-WMN6T(B)	L9603	1-400-808-21	FERRITE	0 μ H
IC9002	6-712-397-01	IC	74AHC1G08GW-125	L9604	1-400-808-21	FERRITE	0 μ H
IC9304	6-711-239-01	IC	NJM2878F3-18 (TE2)	L9606	1-400-808-21	FERRITE	0 μ H
IC9400	6-713-838-01	IC	EDE1116AEBG-8E-F-TR	L9607	1-400-808-21	FERRITE	0 μ H
IC9401	6-713-838-01	IC	EDE1116AEBG-8E-F-TR	L9608	1-400-808-21	FERRITE	0 μ H
JACK				L9609	1-400-808-21	FERRITE	0 μ H
J2060	1-822-581-13	MULTIPLE PHONO JACK	4P	L9610	1-400-808-21	FERRITE	0 μ H
J2300	1-822-528-11	JACK		L9612	1-400-808-21	FERRITE	0 μ H
J2301	1-822-524-21	PHONO JACK	2P	L9613	1-400-808-21	FERRITE	0 μ H
J2800	1-842-100-11	PIN JACK	3P	L9616	1-400-808-21	FERRITE	0 μ H
J2801	1-842-099-11	PIN JACK	5P	L9800	1-400-808-21	FERRITE	0 μ H
J2802	1-842-096-11	PHONO JACK	5P	L9801	1-400-808-21	FERRITE	0 μ H
COIL				L9802	1-400-808-21	FERRITE	0 μ H
L1002	1-481-524-11	INDUCTOR	10 μ H	L9900	1-481-521-11	INDUCTOR	1 μ H
L1004	1-457-725-21	INDUCTOR	4.7 μ H	L9901	1-400-808-21	FERRITE	0 μ H
L2200	1-234-400-21	CONDUCTOR, NETWORK	(1005X4)	L9902	1-400-808-21	FERRITE	0 μ H
L2201	1-234-400-21	CONDUCTOR, NETWORK	(1005X4)	L9903	1-400-808-21	FERRITE	0 μ H
L2260	1-234-400-21	CONDUCTOR, NETWORK	(1005X4)	L9904	1-400-808-21	FERRITE	0 μ H
L2261	1-234-400-21	CONDUCTOR, NETWORK	(1005X4)	TRANSISTOR			
L2264	1-234-400-21	CONDUCTOR, NETWORK	(1005X4)	Q1001	6-551-321-01	TRANSISTOR	RT3WLMM-TP-1F
L2265	1-234-400-21	CONDUCTOR, NETWORK	(1005X4)	Q2200	6-552-430-01	TRANSISTOR	DRC5114E0L
L2266	1-234-400-21	CONDUCTOR, NETWORK	(1005X4)	Q2201	6-552-408-01	TRANSISTOR	DSC500100L
L2267	1-234-400-21	CONDUCTOR, NETWORK	(1005X4)	Q3000	6-551-903-01	TRANSISTOR	RT3S02M-T111-1
L2268	1-234-400-21	CONDUCTOR, NETWORK	(1005X4)	Q3001	6-551-903-01	TRANSISTOR	RT3S02M-T111-1
L2269	1-234-400-21	CONDUCTOR, NETWORK	(1005X4)	\triangle Q3700	6-552-212-01	TRANSISTOR	MP6K61FPFTR
L2400	1-457-223-11	INDUCTOR	0 μ H	Q3701	6-552-457-01	TRANSISTOR	RP1E1100RNFPFTR
* L2560	1-457-685-11	INDUCTOR	0 μ H	Q3702	6-552-457-01	TRANSISTOR	RP1E1100RNFPFTR
* L2561	1-457-685-11	INDUCTOR	0 μ H	Q3703	6-550-354-01	TRANSISTOR	RTQ035P02TR
* L2562	1-457-685-11	INDUCTOR	0 μ H	Q3704	6-552-430-01	TRANSISTOR	DRC5114E0L
* L2563	1-457-685-11	INDUCTOR	0 μ H	Q3800	6-551-690-01	TRANSISTOR	RT3N11M-TP-1
* L2564	1-457-685-11	INDUCTOR	0 μ H	Q4000	6-552-411-01	TRANSISTOR	DRA5114T0L
* L2565	1-457-685-11	INDUCTOR	0 μ H	Q4003	6-551-943-01	TRANSISTOR	RT3XBBM-T111-1
L3000	1-469-557-21	INDUCTOR	22 μ H	Q5003	6-552-431-01	TRANSISTOR	DRC5114T0L
L3700	1-457-730-11	INDUCTOR	2.2 μ H	Q5004	6-551-321-01	TRANSISTOR	RT3WLMM-TP-1F
L3701	1-457-864-11	INDUCTOR	1 μ H	Q5005	6-552-430-01	TRANSISTOR	DRC5114E0L
L3702	1-457-873-11	INDUCTOR	4.7 μ H	Q5008	6-552-411-01	TRANSISTOR	DRA5114T0L
L3704	1-457-866-21	INDUCTOR	2.2 μ H	Q5011	6-552-436-01	TRANSISTOR	DRC5123J0L
L4200	1-457-884-11	INDUCTOR	15 μ H	Q9300	6-552-430-01	TRANSISTOR	DRC5114E0L
L4201	1-457-884-11	INDUCTOR	15 μ H	Q9305	6-552-430-01	TRANSISTOR	DRC5114E0L
L4202	1-457-884-11	INDUCTOR	15 μ H	Q9306	6-552-484-01	TRANSISTOR	RE1C002ZPFU7TL
L4203	1-457-884-11	INDUCTOR	15 μ H	Q9601	6-552-407-01	TRANSISTOR	DSA500100L
L9601	1-469-556-21	INDUCTOR	15 μ H	Q9602	6-552-407-01	TRANSISTOR	DSA500100L
L9602	1-469-556-21	INDUCTOR	15 μ H				



REF. NO.	PART NO.	DESCRIPTION	VALUES			REF. NO.	PART NO.	DESCRIPTION	VALUES		
RESISTOR					R2243	1-218-945-11	METAL CHIP	220	5%	1/16W	
R1003	1-218-941-81	METAL CHIP	100	5%	1/16W	R2244	1-208-859-81	METAL CHIP	68	0.50% 1/16W	
R1004	1-218-937-11	METAL CHIP	47	5%	1/16W	R2260	1-218-929-11	METAL CHIP	10	5% 1/16W	
R1005	1-218-937-11	METAL CHIP	47	5%	1/16W	R2261	1-218-929-11	METAL CHIP	10	5% 1/16W	
R1006	1-218-965-11	METAL CHIP	10K	5%	1/16W	R2269	1-218-929-11	METAL CHIP	10	5% 1/16W	
R1012	1-218-941-81	METAL CHIP	100	5%	1/16W	R2272	1-218-929-11	METAL CHIP	10	5% 1/16W	
R1013	1-218-937-11	METAL CHIP	47	5%	1/16W	R2285	1-218-941-81	METAL CHIP	100	5% 1/16W	
R1014	1-218-937-11	METAL CHIP	47	5%	1/16W	R2286	1-218-941-81	METAL CHIP	100	5% 1/16W	
R1015	1-218-937-11	METAL CHIP	47	5%	1/16W	R2287	1-218-941-81	METAL CHIP	100	5% 1/16W	
R1017	1-218-961-11	METAL CHIP	4.7K	5%	1/16W	R2289	1-218-941-81	METAL CHIP	100	5% 1/16W	
R1020	1-218-989-11	METAL CHIP	1M	5%	1/16W	R2300	1-218-953-11	METAL CHIP	1K	5% 1/16W	
R1022	1-218-959-11	METAL CHIP	3.3K	5%	1/16W	R2301	1-218-977-11	METAL CHIP	100K	5% 1/16W	
R1026	1-218-959-11	METAL CHIP	3.3K	5%	1/16W	R2405	1-245-567-81	METAL CHIP	49.9	0.50% 1/16W	
R1027	1-218-959-11	METAL CHIP	3.3K	5%	1/16W	R2407	1-245-567-81	METAL CHIP	49.9	0.50% 1/16W	
R1029	1-218-965-11	METAL CHIP	10K	5%	1/16W	R2410	1-218-953-11	METAL CHIP	1K	5% 1/16W	
R1030	1-218-989-11	METAL CHIP	1M	5%	1/16W	R2411	1-218-937-11	METAL CHIP	47	5% 1/16W	
R1033	1-218-959-11	METAL CHIP	3.3K	5%	1/16W	R2413	1-250-271-81	METAL CHIP	6.49K	0.50% 1/16W	
R1041	1-218-958-11	METAL CHIP	2.7K	5%	1/16W	R2415	1-218-947-11	METAL CHIP	330	5% 1/16W	
R1042	1-208-687-11	METAL CHIP	1.5K	0.50%	1/16W	R2418	1-218-961-11	METAL CHIP	4.7K	5% 1/16W	
R1048	1-218-977-11	METAL CHIP	100K	5%	1/16W	R2419	1-245-567-81	METAL CHIP	49.9	0.50% 1/16W	
R1049	1-218-941-11	METAL CHIP	100	5%	1/16W	R2421	1-245-567-81	METAL CHIP	49.9	0.50% 1/16W	
R1050	1-218-935-11	METAL CHIP	33	5%	1/16W	R2423	1-218-970-11	METAL CHIP	27K	5% 1/16W	
R1051	1-208-675-11	METAL CHIP	470	0.50%	1/16W	R2425	1-218-961-11	METAL CHIP	4.7K	5% 1/16W	
R1066	1-218-990-81	SHORT CHIP				R2500	1-218-973-11	METAL CHIP	47K	5% 1/16W	
R1067	1-218-990-81	SHORT CHIP				R2505	1-218-953-11	METAL CHIP	1K	5% 1/16W	
R1084	1-218-941-81	METAL CHIP	100	5%	1/16W	R2507	1-218-965-11	METAL CHIP	10K	5% 1/16W	
R1085	1-218-961-11	METAL CHIP	4.7K	5%	1/16W	R2561	1-218-973-11	METAL CHIP	47K	5% 1/16W	
R1086	1-208-911-11	METAL CHIP	10K	0.50%	1/16W	R2565	1-218-941-81	METAL CHIP	100	5% 1/16W	
R1087	1-218-959-11	METAL CHIP	3.3K	5%	1/16W	R2567	1-218-965-11	METAL CHIP	10K	5% 1/16W	
R1088	1-218-965-11	METAL CHIP	10K	5%	1/16W	R2569	1-218-957-11	METAL CHIP	2.2K	5% 1/16W	
R1089	1-218-961-11	METAL CHIP	4.7K	5%	1/16W	R2570	1-218-990-81	SHORT CHIP			
R1091	1-218-977-11	METAL CHIP	100K	5%	1/16W	R2580	1-218-990-81	SHORT CHIP			
R1092	1-218-941-81	METAL CHIP	100	5%	1/16W	R2595	1-218-965-11	METAL CHIP	10K	5% 1/16W	
R1096	1-218-990-81	SHORT CHIP				R2596	1-208-935-11	METAL CHIP	100K	0.50% 1/16W	
R1110	1-218-957-11	METAL CHIP	2.2K	5%	1/16W	R2597	1-208-923-11	METAL CHIP	33K	0.50% 1/16W	
R1112	1-218-965-11	METAL CHIP	10K	5%	1/16W	R2599	1-218-990-81	SHORT CHIP			
R1113	1-218-990-81	SHORT CHIP				R2607	1-208-927-11	METAL CHIP	47K	0.50% 1/16W	
R1114	1-218-990-81	SHORT CHIP				R2631	1-218-941-81	METAL CHIP	100	5% 1/16W	
R1118	1-208-711-11	METAL CHIP	15K	0.50%	1/16W	R2640	1-218-990-81	SHORT CHIP			
R1119	1-218-965-11	METAL CHIP	10K	5%	1/16W	R2816	1-218-990-81	SHORT CHIP			
R2060	1-211-990-11	METAL CHIP	75	0.50%	1/10W	R2822	1-218-990-81	SHORT CHIP			
R2221	1-218-970-11	METAL CHIP	27K	5%	1/16W	R2833	1-218-990-81	SHORT CHIP			
R2230	1-218-929-11	METAL CHIP	10	5%	1/16W	R2834	1-218-990-81	SHORT CHIP			
R2236	1-218-965-11	METAL CHIP	10K	5%	1/16W	R2835	1-218-990-81	SHORT CHIP			



REF. NO.	PART NO.	DESCRIPTION	VALUES			REF. NO.	PART NO.	DESCRIPTION	VALUES		
R2848	1-218-990-81	SHORT CHIP				R4014	1-218-935-11	METAL CHIP	33	5%	1/16W
R2849	1-208-860-81	METAL CHIP	75	0.50%	1/16W	R4201	1-208-713-11	METAL CHIP	18K	0.50%	1/16W
R2859	1-218-990-81	SHORT CHIP				R4202	1-218-953-11	METAL CHIP	1K	5%	1/16W
R2894	1-218-990-81	SHORT CHIP				R4205	1-218-949-11	METAL CHIP	470	5%	1/16W
R2895	1-218-990-81	SHORT CHIP				R4206	1-218-949-11	METAL CHIP	470	5%	1/16W
R2900	1-218-990-81	SHORT CHIP				R4207	1-218-969-11	METAL CHIP	22K	5%	1/16W
R2901	1-218-990-81	SHORT CHIP				R4212	1-218-965-11	METAL CHIP	10K	5%	1/16W
R2909	1-218-990-81	SHORT CHIP				R4500	1-218-965-11	METAL CHIP	10K	5%	1/16W
R2910	1-218-990-81	SHORT CHIP				R4503	1-218-937-11	METAL CHIP	47	5%	1/16W
R2922	1-218-965-11	METAL CHIP	10K	5%	1/16W	R4514	1-218-990-81	SHORT CHIP			
R2923	1-218-965-11	METAL CHIP	10K	5%	1/16W	R4517	1-218-990-81	SHORT CHIP			
R3004	1-218-965-11	METAL CHIP	10K	5%	1/16W	R5003	1-208-931-11	METAL CHIP	68K	0.50%	1/16W
R3005	1-218-941-81	METAL CHIP	100	5%	1/16W	R5004	1-208-703-11	METAL CHIP	6.8K	0.50%	1/16W
R3007	1-208-905-11	METAL CHIP	5.6K	0.50%	1/16W	R5007	1-208-711-11	METAL CHIP	15K	0.50%	1/16W
R3008	1-208-905-11	METAL CHIP	5.6K	0.50%	1/16W	R5009	1-218-977-11	METAL CHIP	100K	5%	1/16W
R3009	1-208-711-11	METAL CHIP	15K	0.50%	1/16W	R5010	1-218-973-11	METAL CHIP	47K	5%	1/16W
R3010	1-208-911-11	METAL CHIP	10K	0.50%	1/16W	R5019	1-218-965-11	METAL CHIP	10K	5%	1/16W
R3016	1-218-965-11	METAL CHIP	10K	5%	1/16W	R5020	1-218-941-81	METAL CHIP	100	5%	1/16W
R3024	1-218-823-11	METAL CHIP	100	0.50%	1/10W	R5021	1-218-949-11	METAL CHIP	470	5%	1/16W
R3700	1-218-965-11	METAL CHIP	10K	5%	1/16W	R5025	1-218-937-11	METAL CHIP	47	5%	1/16W
R3701	1-208-943-11	METAL CHIP	220K	0.50%	1/16W	R5030	1-218-965-11	METAL CHIP	10K	5%	1/16W
R3702	1-208-709-11	METAL CHIP	12K	0.50%	1/16W	R5031	1-218-953-11	METAL CHIP	1K	5%	1/16W
R3703	1-208-695-11	METAL CHIP	3.3K	0.50%	1/16W	R5033	1-208-923-11	METAL CHIP	33K	0.50%	1/16W
R3704	1-208-699-11	METAL CHIP	4.7K	0.50%	1/16W	R5035	1-245-604-11	METAL CHIP	10M	5%	1/16W
R3705	1-208-911-11	METAL CHIP	10K	0.50%	1/16W	R5037	1-218-953-11	METAL CHIP	1K	5%	1/16W
R3706	1-218-977-11	METAL CHIP	100K	5%	1/16W	R5039	1-208-943-11	METAL CHIP	220K	0.50%	1/16W
R3707	1-218-973-11	METAL CHIP	47K	5%	1/16W	R5050	1-208-927-11	METAL CHIP	47K	0.50%	1/16W
R3713	1-218-961-11	METAL CHIP	4.7K	5%	1/16W	R5052	1-208-691-11	METAL CHIP	2.2K	0.50%	1/16W
R3714	1-218-953-11	METAL CHIP	1K	5%	1/16W	R5054	1-218-965-11	METAL CHIP	10K	5%	1/16W
R3719	1-208-715-11	METAL CHIP	22K	0.50%	1/16W	R5058	1-218-953-11	METAL CHIP	1K	5%	1/16W
R3721	1-208-871-81	METAL CHIP	220	0.50%	1/16W	R5060	1-208-893-11	METAL CHIP	1.8K	0.50%	1/16W
R3722	1-208-931-11	METAL CHIP	68K	0.50%	1/16W	R5063	1-218-965-11	METAL CHIP	10K	5%	1/16W
R3723	1-208-905-11	METAL CHIP	5.6K	0.50%	1/16W	R5067	1-218-953-11	METAL CHIP	1K	5%	1/16W
R3727	1-208-923-11	METAL CHIP	33K	0.50%	1/16W	R5070	1-218-990-81	SHORT CHIP			
R3728	1-208-683-11	METAL CHIP	1K	0.50%	1/16W	R5071	1-218-990-81	SHORT CHIP			
R3740	1-218-973-11	METAL CHIP	47K	5%	1/16W	R5079	1-218-965-11	METAL CHIP	10K	5%	1/16W
R3741	1-208-695-11	METAL CHIP	3.3K	0.50%	1/16W	R5080	1-218-969-11	METAL CHIP	22K	5%	1/16W
R3742	1-208-699-11	METAL CHIP	4.7K	0.50%	1/16W	R5105	1-218-965-11	METAL CHIP	10K	5%	1/16W
R3808	1-218-977-11	METAL CHIP	100K	5%	1/16W	R5117	1-208-715-11	METAL CHIP	22K	0.50%	1/16W
R4002	1-218-969-11	METAL CHIP	22K	5%	1/16W	R5122	1-208-931-11	METAL CHIP	68K	0.50%	1/16W
R4003	1-218-941-81	METAL CHIP	100	5%	1/16W	R5126	1-218-965-11	METAL CHIP	10K	5%	1/16W
R4004	1-218-989-11	METAL CHIP	1M	5%	1/16W	R5131	1-218-941-81	METAL CHIP	100	5%	1/16W
R4013	1-218-935-11	METAL CHIP	33	5%	1/16W	R5132	1-218-965-11	METAL CHIP	10K	5%	1/16W
						R5135	1-218-965-11	METAL CHIP	10K	5%	1/16W
						R5136	1-218-965-11	METAL CHIP	10K	5%	1/16W



REF. NO.	PART NO.	DESCRIPTION	VALUES			REF. NO.	PART NO.	DESCRIPTION	VALUES		
R9003	1-218-957-11	METAL CHIP	2.2K	5%	1/16W	R9619	1-208-635-11	METAL CHIP	10	0.50%	1/16W
R9005	1-218-965-11	METAL CHIP	10K	5%	1/16W	R9620	1-208-635-11	METAL CHIP	10	0.50%	1/16W
R9006	1-208-883-81	METAL CHIP	680	0.50%	1/16W	R9624	1-218-829-11	METAL CHIP	180	0.50%	1/10W
R9025	1-208-859-81	METAL CHIP	68	0.50%	1/16W	R9625	1-218-829-11	METAL CHIP	180	0.50%	1/10W
R9027	1-218-965-11	METAL CHIP	10K	5%	1/16W	R9626	1-218-829-11	METAL CHIP	180	0.50%	1/10W
R9056	1-218-937-11	METAL CHIP	47	5%	1/16W	R9627	1-208-643-11	METAL CHIP	22	0.50%	1/16W
R9073	1-218-941-81	METAL CHIP	100	5%	1/16W	R9628	1-208-635-11	METAL CHIP	10	0.50%	1/16W
R9120	1-218-937-11	METAL CHIP	47	5%	1/16W	R9629	1-208-635-11	METAL CHIP	10	0.50%	1/16W
R9304	1-218-949-11	METAL CHIP	470	5%	1/16W	R9633	1-211-990-11	METAL CHIP	75	0.50%	1/10W
R9308	1-218-965-11	METAL CHIP	10K	5%	1/16W	R9634	1-218-823-11	METAL CHIP	100	0.50%	1/10W
R9309	1-218-953-11	METAL CHIP	1K	5%	1/16W	R9635	1-218-823-11	METAL CHIP	100	0.50%	1/10W
R9310	1-218-937-11	METAL CHIP	47	5%	1/16W	R9636	1-218-829-11	METAL CHIP	180	0.50%	1/10W
R9312	1-218-965-11	METAL CHIP	10K	5%	1/16W	R9637	1-218-829-11	METAL CHIP	180	0.50%	1/10W
R9324	1-218-965-11	METAL CHIP	10K	5%	1/16W	R9638	1-218-829-11	METAL CHIP	180	0.50%	1/10W
R9403	1-208-911-11	METAL CHIP	10K	0.50%	1/16W	R9641	1-211-990-11	METAL CHIP	75	0.50%	1/10W
R9404	1-208-911-11	METAL CHIP	10K	0.50%	1/16W	R9642	1-218-823-11	METAL CHIP	100	0.50%	1/10W
R9405	1-208-663-11	METAL CHIP	150	0.50%	1/16W	R9643	1-218-823-11	METAL CHIP	100	0.50%	1/10W
R9447	1-218-935-11	METAL CHIP	33	5%	1/16W	R9646	1-208-711-11	METAL CHIP	15K	0.50%	1/16W
R9448	1-218-935-11	METAL CHIP	33	5%	1/16W	R9647	1-208-911-11	METAL CHIP	10K	0.50%	1/16W
R9449	1-218-935-11	METAL CHIP	33	5%	1/16W	R9648	1-208-883-81	METAL CHIP	680	0.50%	1/16W
R9450	1-218-935-11	METAL CHIP	33	5%	1/16W	R9649	1-218-941-81	METAL CHIP	100	5%	1/16W
R9459	1-218-933-11	METAL CHIP	22	5%	1/16W	R9650	1-218-941-81	METAL CHIP	100	5%	1/16W
R9468	1-218-933-11	METAL CHIP	22	5%	1/16W	R9651	1-218-945-11	METAL CHIP	220	5%	1/16W
R9469	1-218-933-11	METAL CHIP	22	5%	1/16W	R9652	1-218-945-11	METAL CHIP	220	5%	1/16W
R9470	1-218-933-11	METAL CHIP	22	5%	1/16W	R9654	1-218-947-11	METAL CHIP	330	5%	1/16W
R9471	1-218-933-11	METAL CHIP	22	5%	1/16W	R9655	1-218-947-11	METAL CHIP	330	5%	1/16W
R9477	1-208-663-11	METAL CHIP	150	0.50%	1/16W	R9658	1-218-990-81	SHORT CHIP			
R9478	1-208-663-11	METAL CHIP	150	0.50%	1/16W	R9678	1-218-935-11	METAL CHIP	33	5%	1/16W
R9479	1-208-911-11	METAL CHIP	10K	0.50%	1/16W	R9679	1-218-935-11	METAL CHIP	33	5%	1/16W
R9480	1-208-911-11	METAL CHIP	10K	0.50%	1/16W	R9680	1-218-935-11	METAL CHIP	33	5%	1/16W
R9482	1-208-911-11	METAL CHIP	10K	0.50%	1/16W	R9681	1-208-859-81	METAL CHIP	68	0.50%	1/16W
R9483	1-208-911-11	METAL CHIP	10K	0.50%	1/16W	R9730	1-208-688-11	METAL CHIP	1.6K	0.50%	1/16W
R9485	1-218-965-11	METAL CHIP	10K	5%	1/16W	R9731	1-220-884-11	METAL CHIP	39	0.50%	1/16W
R9486	1-208-709-11	METAL CHIP	12K	0.50%	1/16W	R9732	1-220-884-11	METAL CHIP	39	0.50%	1/16W
R9600	1-208-635-11	METAL CHIP	10	0.50%	1/16W	R9903	1-208-893-11	METAL CHIP	1.8K	0.50%	1/16W
R9601	1-208-635-11	METAL CHIP	10	0.50%	1/16W	R9904	1-208-635-11	METAL CHIP	10	0.50%	1/16W
R9602	1-208-635-11	METAL CHIP	10	0.50%	1/16W	R9906	1-218-941-11	METAL CHIP	100	5%	1/16W
R9603	1-218-829-11	METAL CHIP	180	0.50%	1/10W	R9908	1-208-671-11	METAL CHIP	330	0.50%	1/16W
R9604	1-218-829-11	METAL CHIP	180	0.50%	1/10W	R9909	1-208-671-11	METAL CHIP	330	0.50%	1/16W
R9605	1-218-829-11	METAL CHIP	180	0.50%	1/10W	R9912	1-208-671-11	METAL CHIP	330	0.50%	1/16W
R9606	1-218-823-11	METAL CHIP	100	0.50%	1/10W	R9913	1-208-671-11	METAL CHIP	330	0.50%	1/16W
R9607	1-218-823-11	METAL CHIP	100	0.50%	1/10W	R9914	1-208-671-11	METAL CHIP	330	0.50%	1/16W
R9608	1-218-823-11	METAL CHIP	100	0.50%	1/10W	R9915	1-208-671-11	METAL CHIP	330	0.50%	1/16W
R9613	1-218-949-11	METAL CHIP	470	5%	1/16W	R9916	1-208-671-11	METAL CHIP	330	0.50%	1/16W
R9618	1-208-643-11	METAL CHIP	22	0.50%	1/16W	R9917	1-208-671-11	METAL CHIP	330	0.50%	1/16W



REF. NO.	PART NO.	DESCRIPTION	VALUES	REF. NO.	PART NO.	DESCRIPTION	VALUES
RESISTOR BRIDGE				RB3001	1-234-372-11	RES, NETWORK 100	(1005X4)
	RB1000	1-234-710-21	RES, CHIP NETWORK 47X8 (3816)	RB3003	1-234-372-11	RES, NETWORK 100	(1005X4)
*	RB2060	1-234-384-11	RES, NETWORK 1M (1005X4)	RB3800	1-234-378-21	RES, NETWORK 10K	(1005X4)
	RB2061	1-234-375-21	RES, NETWORK 1K (1005X4)	RB4001	1-234-381-11	RES, NETWORK 100K	(1005X4)
	RB2200	1-234-377-21	RES, NETWORK 4.7K (1005X4)	RB4008	1-234-374-21	RES, NETWORK 470	(1005X4)
	RB2201	1-234-381-11	RES, NETWORK 100K (1005X4)	RB4501	1-250-267-21	RES, NETWORK 33K (1005X4)	
	RB2202	1-234-375-21	RES, NETWORK 1K (1005X4)	RB4505	1-234-379-21	RES, NETWORK 22K (1005X4)	
	RB2260	1-234-380-21	RES, NETWORK 47K (1005X4)	RB4511	1-234-710-21	RES, CHIP NETWORK 47X8 (3816)	
	RB2262	1-234-380-21	RES, NETWORK 47K (1005X4)	RB4517	1-234-371-21	RES, NETWORK 47 (1005X4)	
	RB2263	1-234-380-21	RES, NETWORK 47K (1005X4)	RB4518	1-234-379-21	RES, NETWORK 22K (1005X4)	
	RB2264	1-234-380-21	RES, NETWORK 47K (1005X4)	RB4519	1-250-267-21	RES, NETWORK 33K (1005X4)	
	RB2265	1-234-378-21	RES, NETWORK 10K (1005X4)	RB5001	1-234-376-11	RES, NETWORK 2.2K (1005X4)	
	RB2267	1-234-400-21	CONDUCTOR, NETWORK (1005X4)	RB5002	1-234-375-21	RES, NETWORK 1K (1005X4)	
	RB2268	1-234-400-21	CONDUCTOR, NETWORK (1005X4)	RB5003	1-234-375-21	RES, NETWORK 1K (1005X4)	
	RB2271	1-234-400-21	CONDUCTOR, NETWORK (1005X4)	RB5004	1-234-372-11	RES, NETWORK 100 (1005X4)	
*	RB2300	1-234-384-11	RES, NETWORK 1M (1005X4)	RB5007	1-234-372-11	RES, NETWORK 100 (1005X4)	
	RB2302	1-234-376-11	RES, NETWORK 2.2K (1005X4)	RB5009	1-234-710-21	RES, CHIP NETWORK 47X8 (3816)	
	RB2303	1-234-371-21	RES, NETWORK 47 (1005X4)	RB5013	1-234-372-11	RES, NETWORK 100 (1005X4)	
	RB2304	1-234-370-21	RES, NETWORK 22 (1005X4)	RB5017	1-234-372-11	RES, NETWORK 100 (1005X4)	
	RB2305	1-234-375-21	RES, NETWORK 1K (1005X4)	RB5021	1-234-372-11	RES, NETWORK 100 (1005X4)	
*	RB2306	1-234-384-11	RES, NETWORK 1M (1005X4)	RB5024	1-234-372-11	RES, NETWORK 100 (1005X4)	
	RB2307	1-234-371-21	RES, NETWORK 47 (1005X4)	RB5025	1-234-375-21	RES, NETWORK 1K (1005X4)	
	RB2400	1-234-371-21	RES, NETWORK 47 (1005X4)	RB5027	1-234-378-21	RES, NETWORK 10K (1005X4)	
	RB2402	1-234-375-21	RES, NETWORK 1K (1005X4)	RB5036	1-234-378-21	RES, NETWORK 10K (1005X4)	
	RB2404	1-234-375-21	RES, NETWORK 1K (1005X4)	RB5039	1-234-378-21	RES, NETWORK 10K (1005X4)	
	RB2405	1-234-373-21	RES, NETWORK 220 (1005X4)	RB5041	1-234-785-21	RES, CHIP NETWORK 100X8(3816)	
	RB2406	1-234-373-21	RES, NETWORK 220 (1005X4)	RB5042	1-234-372-11	RES, NETWORK 100 (1005X4)	
	RB2407	1-234-378-21	RES, NETWORK 10K (1005X4)	RB5043	1-234-785-21	RES, CHIP NETWORK 100X8(3816)	
	RB2411	1-234-400-21	CONDUCTOR, NETWORK (1005X4)	RB5044	1-234-372-11	RES, NETWORK 100 (1005X4)	
	RB2412	1-234-400-21	CONDUCTOR, NETWORK (1005X4)	RB5045	1-234-372-11	RES, NETWORK 100 (1005X4)	
	RB2414	1-234-372-11	RES, NETWORK 100 (1005X4)	RB9002	1-234-376-11	RES, NETWORK 2.2K (1005X4)	
	RB2560	1-234-369-21	RES, NETWORK 10 (1005X4)	RB9005	1-234-371-21	RES, NETWORK 47 (1005X4)	
	RB2567	1-234-400-21	CONDUCTOR, NETWORK (1005X4)	RB9006	1-234-376-11	RES, NETWORK 2.2K (1005X4)	
	RB2568	1-234-400-21	CONDUCTOR, NETWORK (1005X4)	RB9007	1-234-371-21	RES, NETWORK 47 (1005X4)	
	RB2605	1-234-378-21	RES, NETWORK 10K (1005X4)	RB9008	1-234-378-21	RES, NETWORK 10K (1005X4)	
*	RB2800	1-234-384-11	RES, NETWORK 1M (1005X4)	RB9009	1-234-376-11	RES, NETWORK 2.2K (1005X4)	
	RB2801	1-234-375-21	RES, NETWORK 1K (1005X4)	RB9010	1-234-378-21	RES, NETWORK 10K (1005X4)	
*	RB2802	1-234-384-11	RES, NETWORK 1M (1005X4)	RB9011	1-234-371-21	RES, NETWORK 47 (1005X4)	
*	RB2803	1-234-384-11	RES, NETWORK 1M (1005X4)	RB9012	1-234-371-21	RES, NETWORK 47 (1005X4)	
	RB2804	1-234-375-21	RES, NETWORK 1K (1005X4)	RB9014	1-234-371-21	RES, NETWORK 47 (1005X4)	
*	RB2805	1-234-384-11	RES, NETWORK 1M (1005X4)	RB9100	1-234-785-21	RES, CHIP NETWORK 100X8(3816)	
	RB2806	1-234-375-21	RES, NETWORK 1K (1005X4)	RB9102	1-234-372-11	RES, NETWORK 100 (1005X4)	
*	RB2807	1-234-384-11	RES, NETWORK 1M (1005X4)	RB9103	1-234-371-21	RES, NETWORK 47 (1005X4)	
	RB3000	1-234-372-11	RES, NETWORK 100 (1005X4)	RB9104	1-234-378-21	RES, NETWORK 10K (1005X4)	

BAL GE3A GE3C

REF. NO.	PART NO.	DESCRIPTION	VALUES
RB9105	1-234-799-21	RES, CHIP NETWORK 10KX8 (3816)	
RB9202	1-234-378-21	RES, NETWORK 10K (1005X4)	
RB9203	1-234-378-21	RES, NETWORK 10K (1005X4)	
RB9204	1-234-799-21	RES, CHIP NETWORK 10KX8 (3816)	
RB9205	1-234-799-21	RES, CHIP NETWORK 10KX8 (3816)	
RB9206	1-234-371-21	RES, NETWORK 47 (1005X4)	
RB9207	1-234-371-21	RES, NETWORK 47 (1005X4)	
RB9208	1-234-710-21	RES, CHIP NETWORK 47X8 (3816)	
RB9214	1-234-799-21	RES, CHIP NETWORK 10KX8 (3816)	
RB9215	1-234-371-21	RES, NETWORK 47 (1005X4)	
RB9216	1-234-371-21	RES, NETWORK 47 (1005X4)	
RB9217	1-234-799-21	RES, CHIP NETWORK 10KX8 (3816)	
RB9218	1-234-378-21	RES, NETWORK 10K (1005X4)	
RB9221	1-234-378-21	RES, NETWORK 10K (1005X4)	
RB9302	1-234-371-21	RES, NETWORK 47 (1005X4)	
RB9303	1-234-371-21	RES, NETWORK 47 (1005X4)	
RB9304	1-234-371-21	RES, NETWORK 47 (1005X4)	
RB9309	1-234-370-21	RES, NETWORK 22 (1005X4)	
RB9310	1-234-370-21	RES, NETWORK 22 (1005X4)	
RB9311	1-234-371-21	RES, NETWORK 47 (1005X4)	
RB9312	1-234-371-21	RES, NETWORK 47 (1005X4)	
RB9315	1-234-371-21	RES, NETWORK 47 (1005X4)	
RB9316	1-234-371-21	RES, NETWORK 47 (1005X4)	
RB9317	1-234-371-21	RES, NETWORK 47 (1005X4)	
RB9318	1-234-371-21	RES, NETWORK 47 (1005X4)	
RB9319	1-234-371-21	RES, NETWORK 47 (1005X4)	
RB9320	1-234-371-21	RES, NETWORK 47 (1005X4)	
RB9400	1-234-370-21	RES, NETWORK 22 (1005X4)	
RB9401	1-234-370-21	RES, NETWORK 22 (1005X4)	
RB9403	1-234-370-21	RES, NETWORK 22 (1005X4)	
RB9404	1-234-370-21	RES, NETWORK 22 (1005X4)	
RB9405	1-234-370-21	RES, NETWORK 22 (1005X4)	
RB9900	1-234-378-21	RES, NETWORK 10K (1005X4)	
TUNER			
TU1006	8-597-726-10	UNIVERSAL SIL-TU	SUT-HB101T
VARISTOR			
VD2060	1-802-090-21	VARISTOR, CHIP	
VD2306	1-802-090-21	VARISTOR, CHIP	
VD2307	1-802-090-21	VARISTOR, CHIP	
VD2800	1-802-090-21	VARISTOR, CHIP	
VD2801	1-802-090-21	VARISTOR, CHIP	

REF. NO.	PART NO.	DESCRIPTION	VALUES
VD2802	1-802-090-21	VARISTOR, CHIP	
VD2803	1-802-090-21	VARISTOR, CHIP	
VD2804	1-802-090-21	VARISTOR, CHIP	
VD2805	1-802-090-21	VARISTOR, CHIP	
VD2806	1-802-090-21	VARISTOR, CHIP	
VD2819	1-802-090-21	VARISTOR, CHIP	
VD2820	1-802-090-21	VARISTOR, CHIP	
VD2823	1-802-090-21	VARISTOR, CHIP	
VD2824	1-802-090-21	VARISTOR, CHIP	
VD2827	1-802-090-21	VARISTOR, CHIP	
VD2828	1-802-090-21	VARISTOR, CHIP	
CRYSTAL			
X2402	1-814-363-11	QUARTZ CRYSTAL UNIT	
X5001	1-813-784-21	VIBRATOR, CRYSTAL	
X5003	1-814-288-21	VIBRATOR, CERAMIC	
X9000	1-814-356-11	QUARTZ CRYSTAL UNIT	

GE3A

1-474-213-11

GE3A (POWER) BOARD, COMPLETE (KDL-40EX715/46X715 ONLY)
Component level information is not available.

GE3C

1-474-250-11

GE3C(POWER) BOARD, COMPLETE (KDL-32EX715 ONLY)
Component level information is not available.




HLR **HMS2**

REF. NO.	PART NO.	DESCRIPTION	VALUES			REF. NO.	PART NO.	DESCRIPTION	VALUES		
HLR											
A-1789-963-A HLR BOARD, MOUNTED											
<u>CAPACITOR</u>						<u>CONNECTOR</u>					
C002	1-112-068-11	CERAMIC CHIP	220pF	10%	50V	CN100	1-820-181-11	HEADER ASSEMBLY (PRINT PWB)			
C004	1-100-909-11	CERAMIC CHIP	10µF	10%	6.3V	<u>DIODE</u>					
C009	1-100-916-11	CERAMIC CHIP	0.1µF	10%	16V	D100	6-502-150-01	DIODE	MA2SD320G8S0		
C010	1-218-937-11	METAL CHIP	47	5%	1/16W	D101	6-502-150-01	DIODE	MA2SD320G8S0		
C018	1-164-874-11	CERAMIC CHIP	100pF	5%	50V	<u>IC</u>					
C019	1-164-874-11	CERAMIC CHIP	100pF	5%	50V	IC100	8-759-337-40	IC	NJM2904V(TE2)		
<u>CONNECTOR</u>						<u>TRANSISTOR</u>					
CN002	1-821-139-11	HEADER ASSEMBLY FOR PWB				Q100	6-551-321-01	TRANSISTOR	RT3WLMM-TP-1F		
<u>DIODE</u>						<u>RESISTOR</u>					
* D001	6-502-294-01	DIODE	SML-D13M8WT86S			R100	1-218-985-11	METAL CHIP	470K	5%	1/16W
D002	6-502-196-01	DIODE	SML-D12Y8WT86SP			R101	1-218-981-91	METAL CHIP	220K	5%	1/16W
* D003	6-502-294-01	DIODE	SML-D13M8WT86S			R102	1-218-973-11	METAL CHIP	47K	5%	1/16W
D005	6-502-598-01	DIODE	SML-D12U8WT86			R103	1-248-243-81	METAL CHIP	8.2M	5%	1/16W
<u>TRANSISTOR</u>						R104	1-218-981-91	METAL CHIP	220K	5%	1/16W
Q001	6-552-430-01	TRANSISTOR	DRC5114E0L			R105	1-218-981-91	METAL CHIP	220K	5%	1/16W
Q002	6-552-430-01	TRANSISTOR	DRC5114E0L			R106	1-218-973-11	METAL CHIP	47K	5%	1/16W
Q003	6-552-430-01	TRANSISTOR	DRC5114E0L			R107	1-248-243-81	METAL CHIP	8.2M	5%	1/16W
Q005	6-552-430-01	TRANSISTOR	DRC5114E0L			R108	1-208-935-11	METAL CHIP	100K	0.50%	1/16W
<u>RESISTOR</u>						R109	1-208-695-11	METAL CHIP	3.3K	0.50%	1/16W
R001	1-208-671-11	METAL CHIP	330	0.50%	1/16W	R118	1-218-965-11	METAL CHIP	10K	5%	1/16W
R002	1-208-683-11	METAL CHIP	1K	0.50%	1/16W	R119	1-218-965-11	METAL CHIP	10K	5%	1/16W
R003	1-208-671-11	METAL CHIP	330	0.50%	1/16W	R120	1-208-893-11	METAL CHIP	1.8K	0.50%	1/16W
R006	1-208-687-11	METAL CHIP	1.5K	0.50%	1/16W	R121	1-218-941-81	METAL CHIP	100	5%	1/16W
R008	1-218-941-81	METAL CHIP	100	5%	1/16W	<u>SWITCH</u>					
R011	1-218-937-11	METAL CHIP	47	5%	1/16W	SE100	1-487-194-13	INFRARED RECEIVER SENSOR			
R019	1-218-941-81	METAL CHIP	100	5%	1/16W						
R020	1-218-941-81	METAL CHIP	100	5%	1/16W						
HMS2											
A-1789-964-A HMS2 BOARD, MOUNTED											
<u>CAPACITOR</u>											
C101	1-100-905-11	CERAMIC CHIP	0.001µF	10%	50V						
C102	1-100-909-11	CERAMIC CHIP	10µF	10%	6.3V						
C103	1-114-807-11	CERAMIC CHIP	0.015µF	10%	25V						
C104	1-100-909-11	CERAMIC CHIP	10µF	10%	6.3V						
C105	1-114-332-11	CERAMIC CHIP	22µF	10%	6.3V						

APPENDIX A: ENCRYPTION KEY COMPONENTS

Encryption key components developed by Sony Corporation contain confidential information, and shall be handled under the non-disclosure obligations provided in the applicable agreement with Sony Corporation (and/or its subsidiary).

As part of this agreement specific instructions must be adhered to whenever a Circuit Board containing encryption key components is repaired and/or replaced pursuant to the following:

- 1) In the service manual the Circuit Board(s) containing encryption key components shall be identified with a **red outline and a **.
- 2) Only repair boards or components listed in the service manual shall be utilized for replacement and/or repair.
- 3) Disassembly, decryption, or reverse-engineering component(s) is strictly prohibited.
- 4) Any board in which the Servicer replaces an encryption key component must be placed back into the set it originally came from and the replaced defective component **MUST BE DESTROYED**. Boards cannot be swapped.
- 5) If a Circuit Board identified with a **red outline and a ** in the service manual is deemed to be defective:
 - a) and if a core charge is imposed and is covered under the product warranty, the defective un-repaired or modified board **MUST BE RETURNED** to Sony.
 - b) and if the core charge is **NOT** covered under the product warranty, the defective un-repaired or modified board **MUST BE DESTROYED**.
- 6) If a unit is destroyed (such as field scrap), the Circuit Board identified with a **red outline and a ** in the service manual **MUST BE DESTROYED**.

SONY is a trademark of Sony Electronics

Reproduction in whole or part without written permission is prohibited. All rights reserved